

Automatic Stainless Steel Washbasin Central Soap Dispensers SLZN 91E2 - 91E6

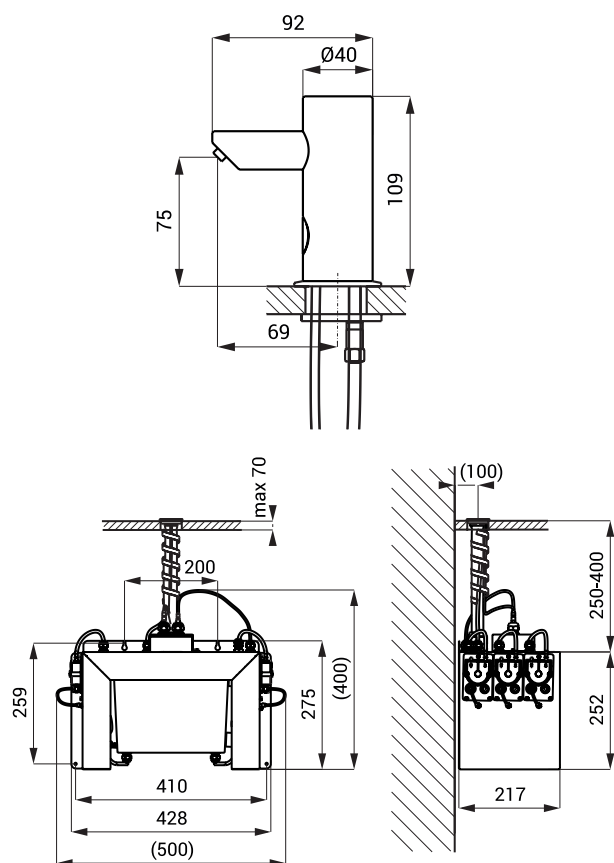


SLZN 91E

Characteristics

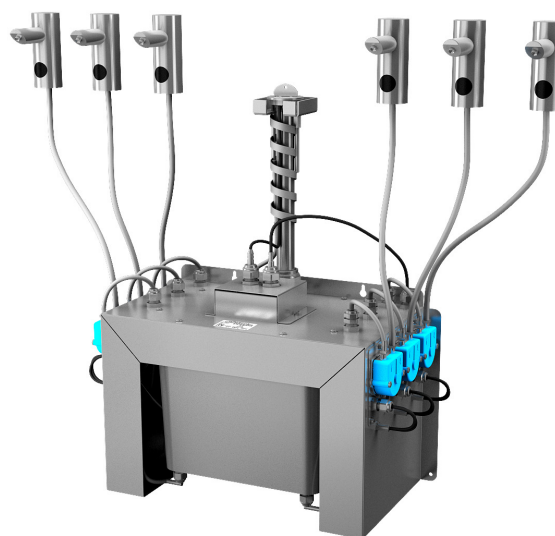
- easy soap refilling
- soap economy
- one dose of soap is flowing as hands are in the active range of the sensor (can be set in range 1,3 - 13 s), standard 2,6 s
- possibility of delivery 2 - 6 pcs. of soap dispensers with central unit made to order
- use in the public sector; container for soap 6 l
- parameters adjustment using by the remote control SLD 03

Installation Drawing



Technical Specification

Operating voltage	24 V DC
Power input	
SLZN 91E2	5 W
SLZN 91E3	7 W
SLZN 91E4	9 W
SLZN 91E5	12 W
SLZN 91E6	14 W
Active range	0,14 - 0,2 m
Recommended soap viscosity	10 mPa - 5000 mPa
(don't use chemical solvents and disinfection)	



Supply Specification

SLZN 91E2 - Supply No. 85912	stainless steel spout with electronics (2 pcs.), inlet hoses, central soap dispenser with peristaltic pumps for liquid soap and soap container 6 l, power supply SLZ 01Y, remote control SLD 03
SLZN 91E3 - Supply No. 85913	stainless steel spout with electronics (3 pcs.), inlet hoses, central soap dispenser with peristaltic pumps for liquid soap and soap container 6 l, power supply SLZ 01Y, remote control SLD 03
SLZN 91E4 - Supply No. 85914	stainless steel spout with electronics (4 pcs.), inlet hoses, central soap dispenser with peristaltic pumps for liquid soap and soap container 6 l, power supply SLZ 01Y, remote control SLD 03
SLZN 91E5 - Supply No. 85915	stainless steel spout with electronics (5 pcs.), inlet hoses, central soap dispenser with peristaltic pumps for liquid soap and soap container 6 l, power supply SLZ 01Y, remote control SLD 03
SLZN 91E6 - Supply No. 85916	stainless steel spout with electronics (6 pcs.), inlet hoses, central soap dispenser with peristaltic pumps for liquid soap and soap container 6 l, power supply SLZ 01Y, remote control SLD 03

Recommended Accessories

- SLA 92 - Supply No. 06920 elongation 30 mm for SLZN 91E
- SLA 93 - Supply No. 06930 elongation 150 mm for SLZN 91E