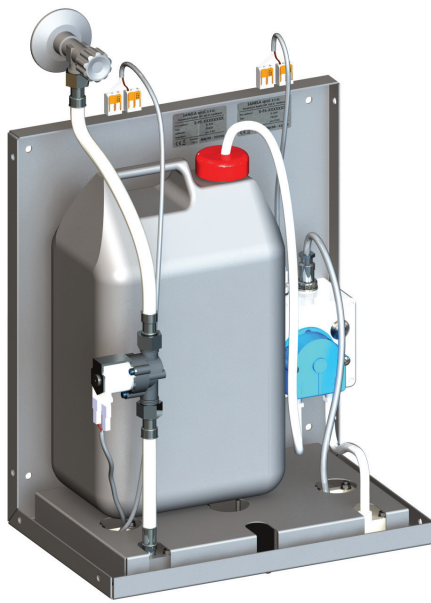


# Automatic Wall-mounted Tap with Soap Dispenser Behind Mirror SLZN 84F



SLZN 84F

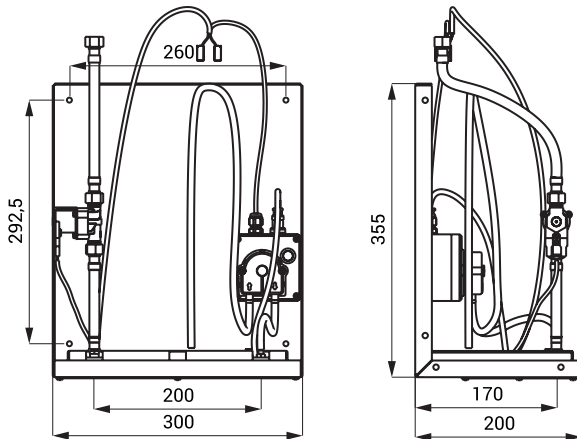
\*Illustrative photo - container for soap is not included

## Characteristics



- economical aerator, rate of flow 6 l/min
- hygienic flush
- lead free
- automatic wall-mounted tap with soap dispenser behind mirror with electronics ALS
- mounting behind mirror
- easy soap refilling
- soap economy
- one dose of soap is flowing as hands are in the active range under the mirror (can be set in range 1,3 - 13 s), standard 2,6 s
- use in the public sector, container for soap 5 l
- tap is destined for cold or premixed water
- water is flowing as long as hands are in the active range under the mirror
- water stops flowing after removal of hands from the active range sensor after adjustable time delay (can be set in range 0,25 - 7,75 s)
- function of automatic water stop after 5 minut of continuous flow
- START/STOP program
- parameter adjustment using by the remote control SLD 03

## Dimensions



## Technical Specification

<b>Dimensions</b>	355 x 200 x 300 mm
<b>Operating voltage</b>	24 V DC
<b>Power input</b>	10 W
<b>Active range of the tap</b>	
▪ standard	0,13 - 0,19 m
▪ START/STOP program	0,05 - 0,15 m
<b>Recommended flow pressure</b>	0,1 - 0,6 MPa
<b>Rate of flow</b>	6 l/min. (inf. data)
<b>Water inlet</b>	male thread G 1/2"
<b>Active range of the soap dispenser</b>	0,14 - 0,2 m
<b>Recommended soap viscosity</b>	10 mPa - 5000 mPa (don't use chemical solvents and disinfection)

## Supply Specification

**SLZN 84F - Supply No. 85842** stainless steel mounting holder with spout, soap dispenser and electronics, electromagnetic valve, connecting hoses, angle valve with filter, inlet hoses, pump for liquid soap

## Recommended Accessories

<b>SLZ 01Y - Supply No. 05012</b>	power supply 24 V DC for operatin of max. 3 pcs. of taps with soap dispensers
<b>SLZ 01Z - Supply No. 05011</b>	power supply 24 V DC for operatin of max. 6 pcs. of taps with soap dispensers
<b>SLZ 04Y - Supply No. 05042</b>	power supply 24 V DC for DIN rail, for operatin of max. 3 pcs. of taps with soap dispensers
<b>SLZ 04Z - Supply No. 05041</b>	power supply 24 V DC for DIN rail, for operatin of max. 6 pcs. of taps with soap dispensers
<b>SLZ 04X - Supply No. 10049</b>	power supply 24 V DC for DIN rail, for operatin of max. 10 pcs. of taps with soap dispensers
<b>SLZ 06 - Supply No. 05060</b>	power supply 24 V DC pro max. 1 pc. of tap with dispenser
<b>SLD 03 - Supply No. 07030</b>	remote control for an adjustment of parameters