

Stainless Steel RFID Token Shower Control SLZA 35



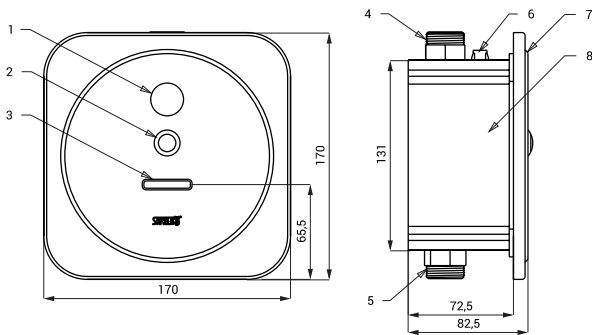
SLZA 35

Characteristics



- **hygienic flush**
- RFID token shower control
- is destined for cold or premixed water
- after inserting the charged RFID token into the panel, it is indicated by flashing the red diode
- system reacts on the push of the button by immediate water flow and lighting on the ten red diods, which with gradual lighting off counts down the shower time
- the user can start and stop the water directly in the shower till the credit depletion of RFID value
- 30% of the time paid before the end of the water supply, the user is notified by interruption of the water flow
- by taking out the token during the shower the whole sequence restarts and after repeated inserting the process starts again from beginning
- parameters adjustment using by the setting token
- material AISI - 304
- brushed finish

Dimensions



- 1 - countdown time indication
- 2 - button START/STOP
- 3 - slot for RFID token
- 4 - water outlet G 3/4"
- 5 - water inlet G 3/4"
- 6 - power supply 24 V DC
- 7 - stainless steel cover with electronics
- 8 - plastic mounting box

Technical Specification

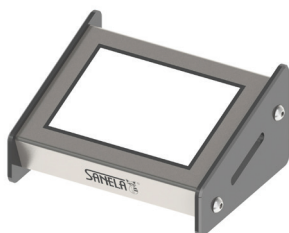
Stainless steel cover dimension	170 x 170 x 10 mm
Mounting box dimension	140 x 140 x 75 mm
Operating voltage	
▪ SLZA 35	24 V DC
Power input	
▪ operating by 24 V DC	7 W
Recommended flow pressure	0,1 - 0,6 MPa
Rate of flow	12 l/min. (inf. data)
Water inlet	male thread G 3/4"

Supply Specification

SLZA 35 - **Supply No. 89350** stainless steel cover with electronics and slot for RFID tokens, plastic mounting box with screw coupling, electromagnetic valve and ball valve

Recommended Accessories

- SLZA 30 - Supply No. 89300 programming station for RFID tokens SLZA 51
- SLZA 30C - Supply No. 89301 RFID token SLZA 51 credit value reader
- SLZA 30CZ - Supply No. 89302 RFID token SLZA 51 credit value reader - recessed
- SLZA 35H - Supply No. 89351 mixer for SLZA 35
- SLZA 51 - Supply No. 88510 set of 50 pcs. of plastic RFID tokens for token machines, yellow color
- SLZA 51B - Supply No. 88511 set of 50 pcs. of plastic RFID tokens for token machines, blue color
- SLZA 51R - Supply No. 88512 set of 50 pcs. of plastic RFID tokens for token machines, red color
- SLZ 01Y - Supply No. 05012 power supply 24 V DC for operating of max. 5 pcs. of showers
- SLZ 01Z - Supply No. 05011 power supply 24 V DC for operating of max. 9 pcs. of showers
- SLZ 04Y - Supply No. 05042 power supply 24 V DC for DIN rail, for operating of max. 5 pcs. of showers
- SLZ 04Z - Supply No. 05041 power supply 24 V DC for DIN rail, for operating of max. 9 pcs. of showers
- SLZ 04X - Supply No. 10049 power supply 24 V DC for DIN rail, for operating of max. 15 pcs. of showers
- SLZ 06 - Supply No. 05060 power supply 24 V DC for operating of max. 1 pc. of shower
- SLT 04 - Supply No. 09040 thermostatic valve 3/4", rate of flow 28 l/min by the pressure 0,1 MPa
- SLT 05 - Supply No. 09050 thermostatic valve 1/2", rate of flow 42 l/min by the pressure 0,1 MPa
- SLT 07 - Supply No. 09070 thermostatic valve 3/4", rate of flow 43 l/min by the pressure 0,1 MPa
- SLT 08 - Supply No. 09080 thermostatic valve 1", rate of flow 53 l/min by the pressure 0,1 MPa
- SLT 09 - Supply No. 09090 thermostatic valve 5/4", rate of flow 82 l/min by the pressure 0,1 MPa
- SLT 10 - Supply No. 09100 thermostatic valve 6/4", rate of flow 155 l/min by the pressure 0,1 MPa
- SLA 03 - Supply No. 06030 vandal-proof shower head with possibility to se an angle of water flow
- SLA 13 - Supply No. 06130 vandal-proof shower head with possibility to se an angle of water flow
- SLA 14 - Supply No. 06140 vandal-proof shower head
- SLA 28 - Supply No. 06280 shower head
- SLA 39 - Supply No. 06390 vandal-proof shower head
- SLA 40 - Supply No. 06400 vandal-proof shower head with possibility to se an angle of water flow



SLZA 30



SLZA 30C



SLZA 30CZ



1 pc. from set of 50 pcs.
tokens SLZA 51



1 pc. from set of 50 pcs.
tokens SLZA 51B



1 pc. from set of 50 pcs.
tokens SLZA 51R



SLZA 35H