

RFID single-phase appliance switch SLZA 30B, SLZA 30BZ



SLZA 30BZ

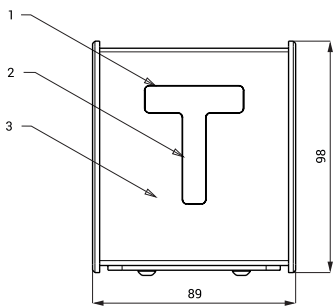


SLZA 30B

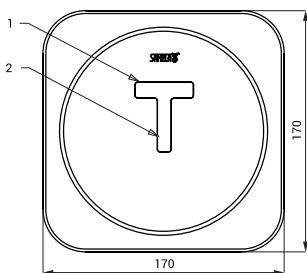
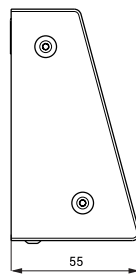
Characteristics

- stainless steel RFID single-phase appliance switch
- model with index B - on the wall
- model with index BZ - recessed
- material AISI - 304
- brushed finish

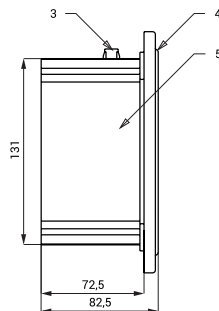
Dimensions



SLZA 30B



SLZA 30BZ



- 1 - display
2 - RFID active range
3 - stainless steel case with plastic sideboards

- 1 - display
2 - RFID active range
3 - power supply 24 V DC
4 - stainless steel cover with electronics
5 - plastic mounting box

Technical Specification

Stainless steel cover dimension (SLZA 30BZ)	170 x 170 x 10 mm
Plastic mounting box dimensions (SLZA 30BZ)	140 x 140 x 75 mm
Dimension (SLZA 30B)	96 x 74 x 51 mm
Operating voltage	24 V DC
Power input	7 W

Supply Specification

SLZA 30B - Supply No. 89305	stainless steel station with display
SLZA 30BZ - Supply No. 89306	stainless steel cover with display, plastic mounting box

Recommended Accessories

SLZ 01Y - Supply No. 05012	power supply 24 V DC for operating of max. 5 pcs. single-phase appliance switches
SLZ 01Z - Supply No. 05011	power supply 24 V DC for operating of max. 9 pcs. single-phase appliance switch
SLZ 04Y - Supply No. 05042	power supply 24 V DC for DIN rail, for operating of max. 5 pcs. single-phase appliance switch
SLZ 04Z - Supply No. 05041	power supply 24 V DC for DIN rail, for operating of max. 9 pcs. single-phase appliance switch
SLZ 04X - Supply No. 10049	power supply 24 V DC for DIN rail, for operating of max. 15 pcs. single-phase appliance switch
SLZA 30 - Supply No. 89300	programming station for RFID tokens
SLZA 51 - Supply No. 88510	set of 50 pcs. of plastic RFID tokens for token machines, yellow color
SLZA 51B - Supply No. 88511	set of 50 pcs. of plastic RFID tokens for token machines, blue color
SLZA 51R - Supply No. 88512	set of 50 pcs. of plastic RFID tokens for token machines, red color
SLZA 53 - Supply No. 88530	contactor 24 V DC
SLZA 54 - Supply No. 88540	protective cover above the recessed machines
SLZA 54A - Supply No. 88541	protective cover above the wall-mounted machines