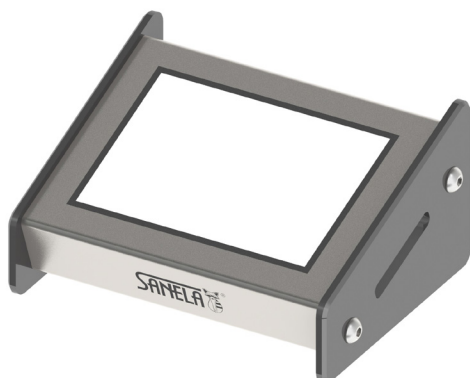


Programming Station for RFID Tokens SLZA 30

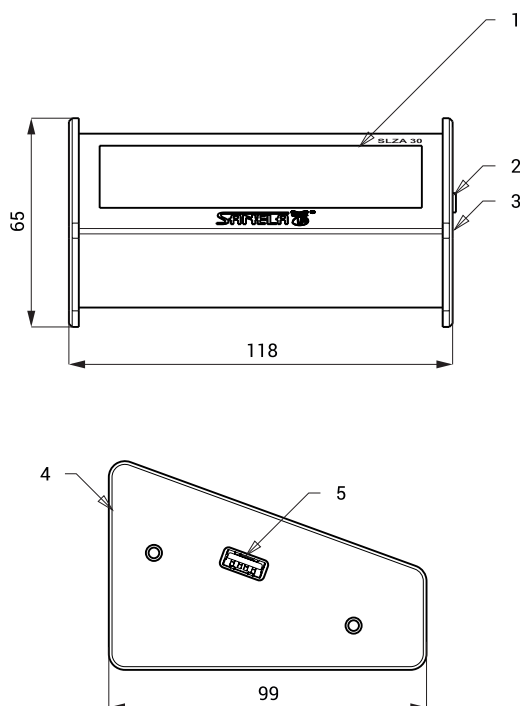


SLZA 30

Characteristics

- programming station for RFID tokens
- for information transfer into memory of token and creating different token types
- 1) common token for use in RFID token showers**
 - possibility of load number of units, user ID, date
- 2) setting token**
 - for parameters adjustment of individual showers (time of valve opening per unit, hygienic flush, shower „for free“)
- 3) pairing token**
 - for the first pairing of programming station with showers or with credit value readers SLZA 30C, SLZA 30CZ
- touch display, english menu
- not necessary to connect to PC (stand alone unit)
- power supply by micro USB
- material AISI - 304
- brushed finish

Dimensions



- 1 - display
- 2 - button SLEEP
- 3 - slot for RFID token
- 4 - power supply by micro USB
- 5 - USB

Technical Specification

Operating voltage

5 V / micro USB

Supply Specification

SLZA 30 - Supply No. 89300 programming station with display, slot for RFID tokens, power supply cabel

Recommended Accessories

- SLZA 51 - Supply No. 88510 set of 50 pcs. of plastic RFID tokens for token machines, yellow color
- SLZA 51B - Supply No. 88511 set of 50 pcs. of plastic RFID tokens for token machines, blue color
- SLZA 51R - Supply No. 88512 set of 50 pcs. of plastic RFID tokens for token machines, red color