

Coin and Token Shower Timers for One Shower

SLZA 03M, SLZA 03MZ



SLZA 03M



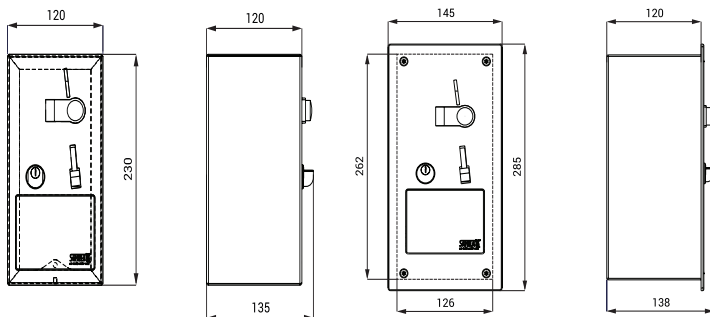
SLZA 03MZ

Characteristics



- hygienic flush
- vandal-proof
- direct control
- after inserting a coin or a token the machine starts water flow on several seconds in the shower
- 30 s before the end of water supply the user is warned by interrupting of water flow
- index Z - recessed
- parameters adjustment using by the remote control SLD 05 (adjustment of shower time according to the thrown coin or token, time delay of switch on, possible activation of hygienic flush, time value, current euro exchange, token value)
- lockable
- material AISI - 304
- could be made to order from stainless steel AISI - 316L
- brushed finish

Installation Drawing



SLZA 03M

SLZA 03MZ

Technical Specification

| | |
|--|--|
| Dimension of hole in the wall for models with index Z | 265 x 127 x 125 mm |
| Operating voltage | 24 V DC |
| Power input | 10 W (2,5 W in sleep mode) |
| Types of coins | 5, 10, 20 and 50 CZK, 1 and 2 EUR, metal token |
| Time delay of switch on | 0 - 300 s, standard 30 s |
| Delay time for paid 5 CZK | 10 s - 310 s, standard 30 s |

Supply Specification

- SLZA 03M - Supply No. 88031** stainless steel coin machine with electronics, coin holder and coin box, set of keys (2 pcs.)
- SLZA 03MZ - Supply No. 88032** stainless steel coin machine with electronics, coin holder and coin box, set of keys (2 pcs.), mounting frame

Necessary Accessories



SLZA 20

88200

Shower control without piezo button
- premixed water



| | | |
|-----------------|--------------|---|
| SLZA 20H | 88205 | Shower control without piezo button - for cold and hot water, temperature regulated by mixer |
|-----------------|--------------|---|



| | | |
|-----------------|--------------|--|
| SLZA 20T | 88206 | Shower control without piezo button - for cold and hot water, temperature regulated by thermostatic mixer |
|-----------------|--------------|--|



| | | |
|----------------|--------------|--|
| SLZA 21 | 88210 | Stainless steel shower panel without piezo button - premixed water |
|----------------|--------------|--|



| | | |
|-----------------|--------------|--|
| SLZA 21H | 88215 | Stainless steel shower panel without piezo button - cold and hot water, temperature regulated by mixer |
|-----------------|--------------|--|



| | | |
|-----------------|--------------|---|
| SLZA 21T | 88216 | Stainless steel shower panel without piezo button - for cold and hot water, temperature regulated by thermostatic mixer |
|-----------------|--------------|---|

Recommended Accessories

| | | |
|----------------|---------------------------|--|
| SLZA 50 | - Supply No. 88500 | set of 50 pcs. of tokens for coin machine |
| SLZ 01Y | - Supply No. 05012 | power supply 24 V DC for operating of max. 1 pc. of shower |
| SLZ 01Z | - Supply No. 05011 | power supply 24 V DC for operating of max. 3 pcs. of showers |
| SLZ 04Y | - Supply No. 05042 | power supply 24 V DC for DIN rail, for operating of max. 1 pc. of shower |
| SLZ 04Z | - Supply No. 05041 | power supply 24 V DC for DIN rail, for operating of max. 3 pcs. of showers |
| SLZ 04X | - Supply No. 10049 | power supply 24 V DC for DIN rail, for operating of max. 5 pcs. of showers |
| SLD 05 | - Supply No. 07050 | remote control for an adjustment of parameters |