

# Coin and Token Shower Timers for Four to Eight Showers

## SLZA 02LM, SLZA 02LMZ



SLZA 02LM



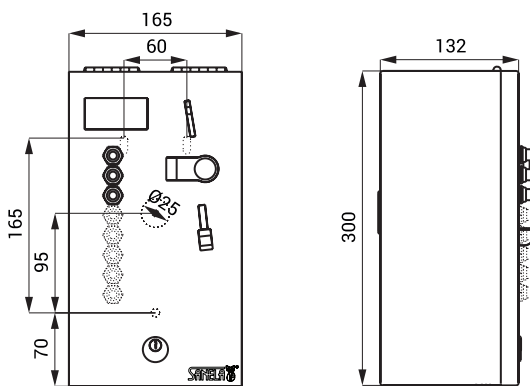
SLZA 02LMZ

### Characteristics

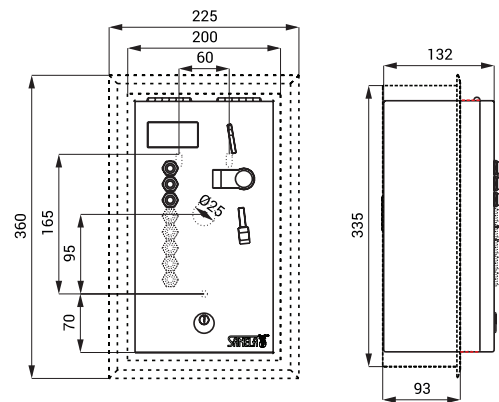


- hygienic flush
- vandal-proof
- choice of shower by the user
  - before inserting a coin or token the user chooses the requested shower by the push button, the number of shower is shown on the display
- direct control
  - after inserting a coin or a token the machine starts water flow on several seconds to indicate the chosen shower
  - after set delay the machine starts water flow for paid time
  - 30 s before the end of water supply the user is warned by interrupting of water flow
- index Z - recessed
- parameters adjustment using by the remote control SLD 05 (adjustment of shower time according to the thrown coin or token, time delay of switch on, possible activation of hygienic flush, time value, current euro exchange, token value, display contrast, possibility switch off some from showers)
- marking of the buttons by symbols could be made to order
- the possibility of obtaining the statistical information, device diagnostics
- lockable
- material AISI - 304
- could be made to order from stainless steel AISI - 316L
- brushed finish

### Installation Drawing



SLZA 02LM



SLZA 02LMZ

### Technical Specification

Dimension of hole in the wall  
for models with index Z

Operating voltage

Power input

Types of coins

Time delay of switch on

Delay time for paid 5 CZK

335 x 200 x 125 mm

24 V DC

65 W

(depends on the accessories and the number of showers)

5, 10, 20 and 50 CZK,

1 and 2 EUR, metal token

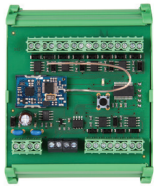
0 - 255 s, standard 30 s

0 - 255 s, standard 30 s

## Supply Specification

- SLZA 02LM** - Supply No. 88027 stainless steel coin machine with electronics, coin holder and coin box, set of keys (2 pcs.)
- SLZA 02LMZ** - Supply No. 88028 stainless steel coin machine with electronics, coin holder and coin box, set of keys (2 pcs.), mounting frame

## Necessary Accessories



|                |              |                                |
|----------------|--------------|--------------------------------|
| <b>SLZA 15</b> | <b>88150</b> | Valves distributor on DIN rail |
|----------------|--------------|--------------------------------|



|                |              |   |
|----------------|--------------|---|
| <b>SLZA 20</b> | <b>88200</b> | Shower control without piezo button<br>- premixed water |
|----------------|--------------|---|



|                 |              |   |
|-----------------|--------------|---|
| <b>SLZA 20H</b> | <b>88205</b> | Shower control without piezo button<br>- for cold and hot water, temperature regulated by mixer |
|-----------------|--------------|---|



|                 |              |  |
|-----------------|--------------|--|
| <b>SLZA 20T</b> | <b>88206</b> | Shower control without piezo button<br>- for cold and hot water, temperature regulated by thermostatic mixer |
|-----------------|--------------|--|



|                |              |  |
|----------------|--------------|--|
| <b>SLZA 21</b> | <b>88210</b> | Stainless steel shower panel without piezo button - premixed water |
|----------------|--------------|--|



|                 |              |  |
|-----------------|--------------|--|
| <b>SLZA 21H</b> | <b>88215</b> | Stainless steel shower panel without piezo button - for cold and hot water, temperature regulated by mixer |
|-----------------|--------------|--|



**SLZA 21T**

**88216**

Stainless steel shower panel without piezo button - for cold and hot water, temperature regulated by thermostatic mixer

## Recommended Accessories

- SLZA 50 - **Supply No. 88500** set of 50 pcs. of tokens for coin machine
- SLZ 01Y - **Supply No. 05012** power supply 24 V DC for operating of max. 5 pcs. of showers
- SLZ 01Z - **Supply No. 05011** power supply 24 V DC for operating of max. 9 pcs. of showers
- SLZ 04Y - **Supply No. 05042** power supply 24 V DC for DIN rail, for operating of max. 5 pcs. of showers
- SLZ 04Z - **Supply No. 05041** power supply 24 V DC for DIN rail, for operating of max. 9 pcs. of showers
- SLZ 04X - **Supply No. 10049** power supply 24 V DC for DIN rail, for operating of max. 15 pcs. of showers
- SLD 05 - **Supply No. 07050** remote control for an adjustment of parameters
- SLA 03 - **Supply No. 06030** vandal-proof shower head
- SLA 39 - **Supply No. 06390** vandal-proof shower head
- SLA 40 - **Supply No. 06400** vandal-proof shower head with possibility to set an angle of water flow