

Vandal-proof Combination Units SLWN 38P, SLWN 38ZP



SLWN 38P

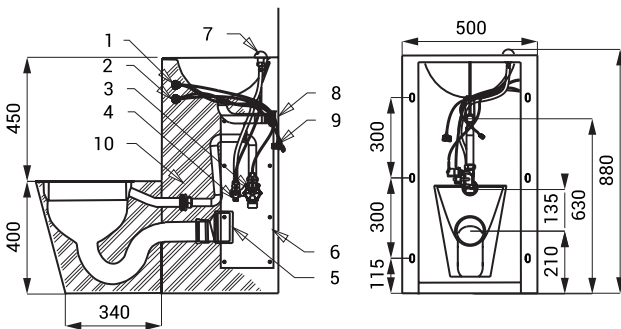
Characteristics



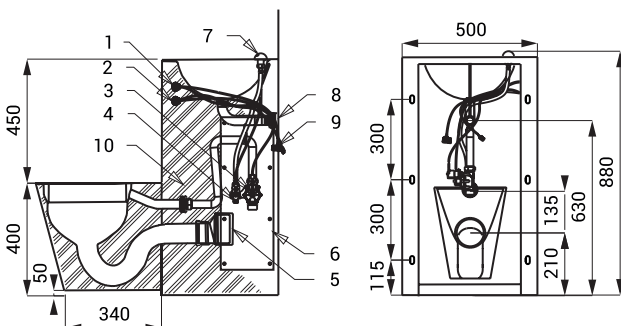
- **vandal-proof**
- **suitable for prison**
- piezo combination with toilet, washbasin, washbasin spout and a toilet paper hole
- piezo button for washbasin spout
- piezo button for toilet flushing
- SLWN 38P - floor standing toilet
- SLWN 38ZP - hanging toilet
- filled with expanded polyurethane (to avoid dents and typical metal noise)
- rear assembling through the service hatch
- water flows (or flushing the toilet) after soft push of the piezo button
- water stops flowing after adjustable flowing time (by washbasin can be set in 2 - 62 s, standard 10 s and by toilet can be set in 0,5 - 15,5 s, standard 8 s)
- water could be stopped by follow-up soft push of piezo button
- automatic hygiene flush after each eight flush or 24 hours non using of toilet
- parameters adjustment by remote control SLD 04
- material AISI - 304
- brushed finish

Dimensions

SLWN 38P



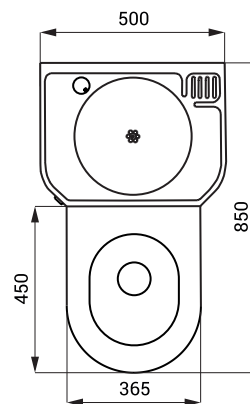
SLWN 38ZP



Technical Specification

Operating voltage	24 V DC
Power input	14 W
Recommended flow pressure	0,1 - 0,6 MPa
Rate of flow	6 l/min. (inf. data)
Water inlet	male thread G 1"

SLWN 38P/ZP



- 1 - piezo button
- 2 - piezo button
- 3 - water inlet - male thread G 1"
- 4 - waste outlet pipe from the washbasin - male thread G 3/8"
- 5 - waste outlet connection (Ø 100 mm) from toilet (is not included)
- 6 - service hatch
- 7 - washbasin spout
- 8 - waste outlet pipe from the washbasin (is not included)
- 9 - power supply 24 V DC
- 10 - filled with expanded polyurethane

Supply Specification

- SLWN 38P - Supply No. 94383 stainless steel combination unit with toilet and washbasin, piezo electronics (2 pcs.),
SLWN 38ZP - Supply No. 94385 washbasin spout, mounting set

Recommended Accessories

- SLZ 01Y - Supply No. 05012 power supply 24 V DC for max. 2 pcs. of combination units
SLZ 01Z - Supply No. 05011 power supply 24 V DC for max. 4 pcs. of combination units
SLZ 04Y - Supply No. 05042 power supply 24 V DC on DIN rail, for max. 2 pcs. of combination units
SLZ 04Z - Supply No. 05041 power supply 24 V DC on DIN rail, for max. 4 pcs. of combination units
SLZ 04X - Supply No. 10049 power supply 24 V DC on DIN rail, for max. 7 pcs. of combination units
SLD 04 - Supply No. 07040 remote control for an adjustment of parameters