

Vandal-proof Combination Units SLWN 38, SLWN 38Z



SLWN 38

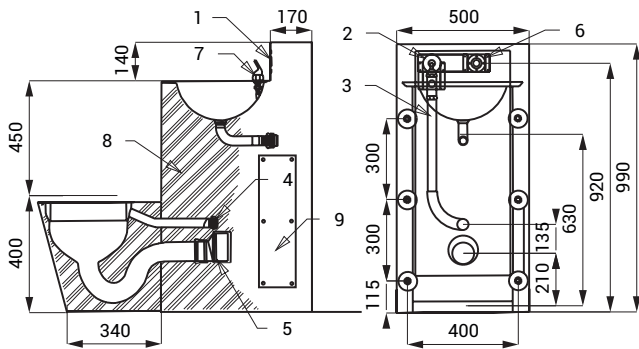
Characteristics



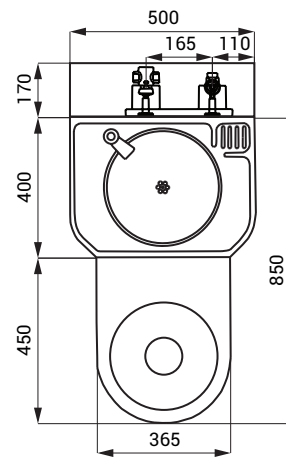
- vandal-proof
- suitable for prison
- combination unit with toilet, washbasin, washbasin spout and a toilet paper hole
- push button for washbasin spout
- push button for flushing toilet
- SLWN 38 - floor standing toilet
- SLWN 38Z - hanging toilet
- filled with expanded polyurethane (to avoid dents and typical metal noise)
- rear assembling through the service hatch
- material AISI - 304
- brushed finish

Dimensions

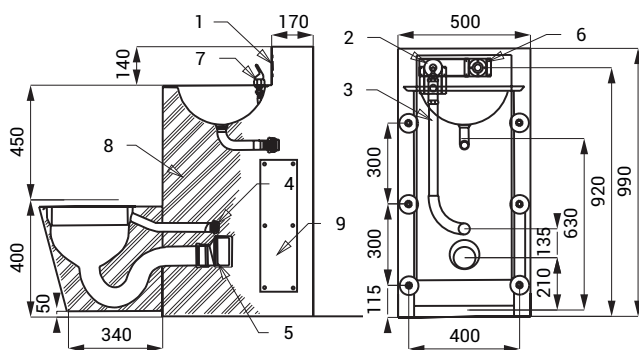
SLWN 38



SLWN 38/Z



SLWN 38Z



- 1 - push buttons for toilet flushing and washbasin spout
- 2 - toilet flushing valve - male thread G 3/4"
- 3 - connecting pipe between toilet push button valve to the toilet (is not included)
- 4 - connection to the toilet (is not included)
- 5 - waste outlet connection (Ø 100 mm) from toilet (is not included)
- 6 - washbasin valve - male thread G 1/2"; female thread G 1/2"
- 7 - washbasin spout
- 8 - filled with expanded polyurethane
- 9 - service hatch

Supply Specification

- SLWN 38 - Supply No. 94382 stainless steel combination unit with toilet and washbasin, push button (2 pcs.)
 SLWN 38Z - Supply No. 94384 washbasin spout, mounting set

Recommended Accessories

- SLA 25 - Supply No. 06250 set for connection between push button valve and toilet and between push button valve and washbasin spout