

# Vandal-proof Combination Units SLWN 28



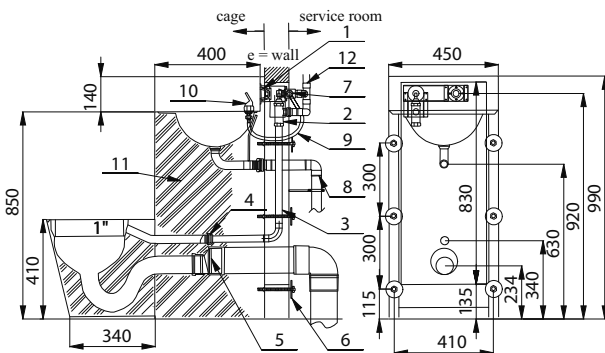
## Characteristics:



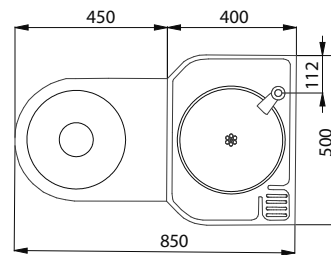
- **vandal-proof**
- **designed for prisons**
- frontal combination unit (toilet and washbasin)
- washbasin spout, toilet paper holder and soap holder
- push button for washbasin spout
- push button for toilet flushing
- SLWN 28 - floor standing toilet
- SLWN 28Z - hung toilet
- rear assembling by M10 screws (length 190 mm) from the service room
- material CrNi 18/10 (AISI - 304), thickness 1,5 mm
- filled with expanded polyurethane (to avoid dents and the typical metal noise)
- brushed finish

## Dimensions:

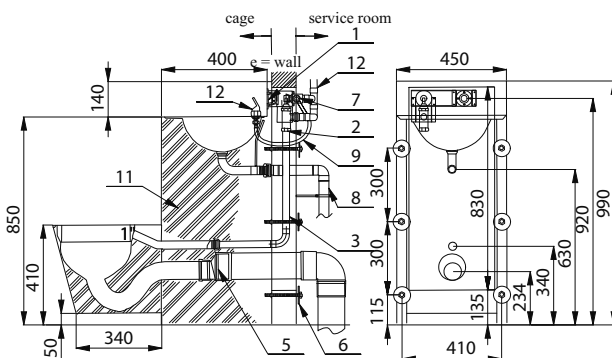
SLWN 28



SLWN 28/Z



SLWN 28Z



- 1 - push buttons for toilet flushing and washbasin spout
- 2 - toilet flushing valve - inlet male thread G 3/4"
- 3 - connecting pipe between toilet push button valve to the toilet (it isn't a part of delivery)
- 4 - connection to the toilet (it isn't a part of delivery)
- 5 - waste outlet connection (d = 100 mm) from toilet (it isn't a part of delivery)
- 6 - M10 screw (length 190 mm) + anchor + nut (6 pcs)
- 7 - washbasin valve - water inlet female thread G 1/2"; water outlet female thread G 1/2"
- 8 - waste outlet pipe from the washbasin (isn't a part of delivery)
- 9 - connecting hose between push button and washbasin spout (it isn't a part of delivery)
- 10 - washbasin spout
- 11 - filled with expanded polyurethane
- 12 - water inlet (isn't a part of delivery)

## Supply Specification:

- SLWN 28 – **supply No. 94282** front stainless steel combination unit (toilet and washbasin); 2x push button valve; washbasin spout; 6x screw M10
- SLWN 28Z – **supply No. 94284** spout; 6x screw M10

## Recommended Accessories:

- SLA 25 – **supply No. 06250** set for connection between push button valve and toilet and between push button valve and washbasin spout

# Vandal-proof Combination Units SLWN 38

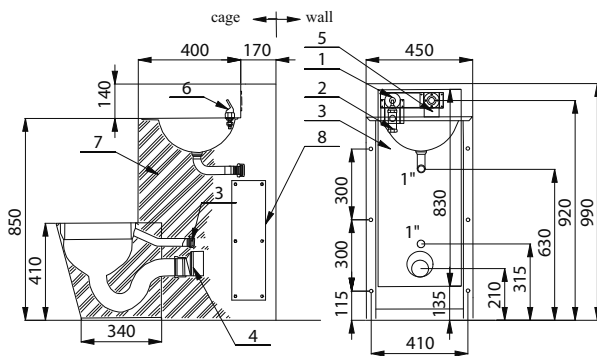


## Characteristics:

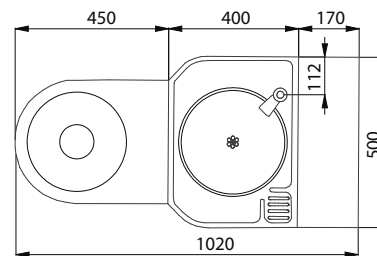
- **vandal-proof**
- frontal combination unit (toilet and washbasin)
- washbasin spout, toilet paper holder and soap holder
- push button for washbasin spout
- push button for toilet flushing
- SLWN 38 - floor standing toilet
- SLWN 38Z - hung toilet
- assembling through service door
- material CrNi 18/10 (AISI - 304), thickness 1,5 mm
- filled with expanded polyurethane (to avoid dents and the typical metal noise)
- brushed finish

## Dimensions:

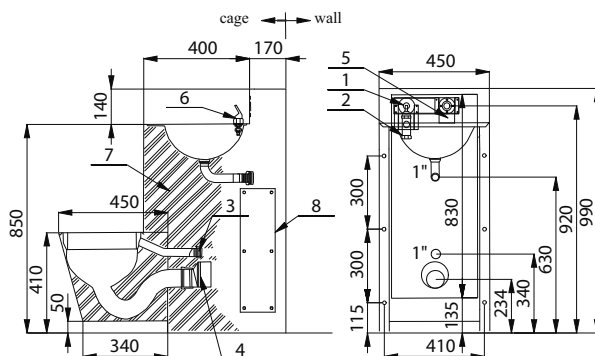
SLWN 38



SLWN 38/Z



SLWN 38Z



- 1 - push buttons for toilet flushing and washbasin spout
- 2 - toilet flushing valve - inlet male thread G 3/4"
- 3 - connection to the toilet (it isn't a part of delivery)
- 4 - waste outlet connection (d = 100 mm) from toilet (it isn't a part of delivery)
- 5 - washbasin valve - water inlet female thread G 1/2"; water outlet female thread G 1/2"
- 6 - washbasin spout
- 7 - filled with expanded polyurethane
- 8 - servis door

## Supply Specification:

- SLWN 38 – **supply No. 94382** front stainless steel combination unit (toilet and washbasin); 2x push button valve;  
 SLWN 38Z – **supply No. 94384** washbasin spout; mounting set

## Recommended Accessories:

- SLA 25 – **supply No. 06250** set for connection between push button valve and toilet and between push button valve and washbasin spout