

Vandal-proof Combination Units SLWN 18PP, 18LP, 18ZPP, 18ZPL



SLWN 18PP

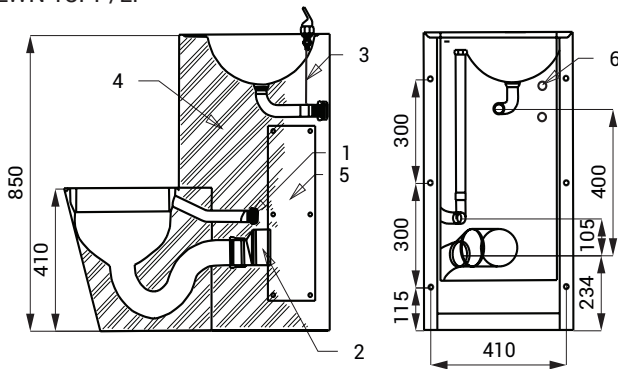
Characteristics



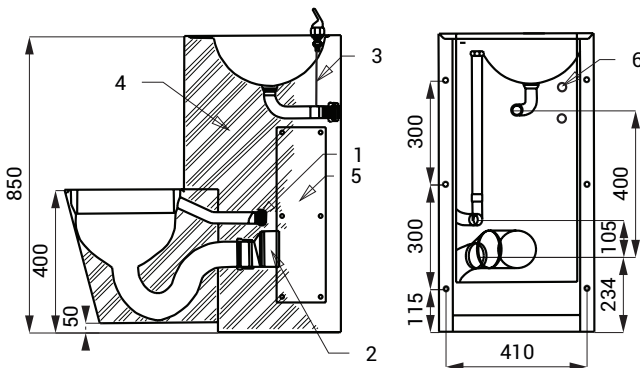
- **vandal-proof**
- **suitable for prison**
- piezo corner combination with toilet, washbasin, washbasin spout and a toilet paper hole
- piezo button for washbasin spout
- piezo button for toilet flushing
- SLWN 18PP - floor standing toilet on the right side
- SLWN 18LP - floor standing toilet on the left side
- SLWN 18ZPP - hanging toilet on the right side
- SLWN 18ZLP - hanging toilet on the left side
- filled with expanded polyurethane (to avoid dents and typical metal noise)
- rear assembling through the service hatch
- water flows (or flushing the toilet) after soft push of the piezo button
- water stops flowing after adjustable flowing time (by washbasin can be set in 2 - 62 s, standard 10 s and by toilet can be set in 0,5 - 15,5 s, standard 8 s)
- water could be stopped by follow-up soft push of piezo button
- automatic hygiene flush after each eight flush or 24 hours non using of toilet
- parameters adjustment by remote control SLD 04
- material AISI - 304
- brushed finish

Dimensions

SLWN 18PP/LP



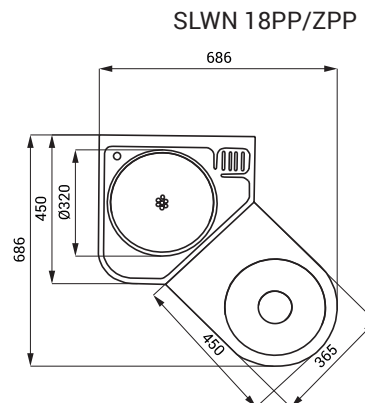
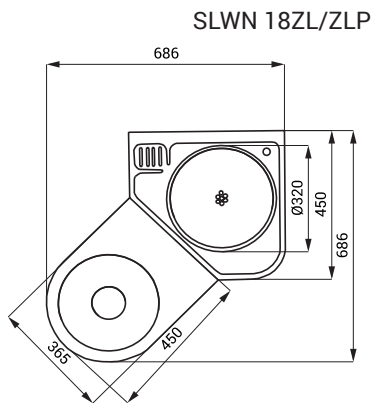
SLWN 18ZPP/ZLP



Technical Specification

Operating voltage	24 V DC
Power input	14 W
Recommended flow pressure	0,1 - 0,6 MPa
Rate of flow	6 l/min. (inf. data)
Water inlet	male thread G 1"

- 1 - connection to the toilet (is not included)
- 2 - waste outlet connection (Ø 100 mm) from toilet (is not included)
- 3 - water inlet (is not included)
- 4 - filled with expanded polyurethane
- 5 - service hatch
- 6 - piezo buttons



Supply Specification

- SLWN 18PP - Supply No. 94185 stainless steel combination unit with toilet and washbasin, piezo electronics (2 pcs.),
 SLWN 18LP - Supply No. 94186 washbasin spout, mounting set
 SLWN 18ZPP - Supply No. 94187
 SLWN 18ZLP - Supply No. 94188

Recommended Accessories

- SLZ 01Y - Supply No. 05012 power supply 24 V DC for max. 2 pcs. of combination units
 SLZ 01Z - Supply No. 05011 power supply 24 V DC for max. 4 pcs. of combination units
 SLZ 04Y - Supply No. 05042 power supply 24 V DC on DIN rail, for max. 2 pcs. of combination units
 SLZ 04Z - Supply No. 05041 power supply 24 V DC on DIN rail, for max. 4 pcs. of combination units
 SLZ 04X - Supply No. 10049 power supply 24 V DC on DIN rail, for max. 7 pcs. of combination units
 SLD 04 - Supply No. 07040 remote control for an adjustment of parameters