

# Vandal-proof Combination Units SLWN 18P, 18L, 18ZP, 18ZL



SLWN 18P

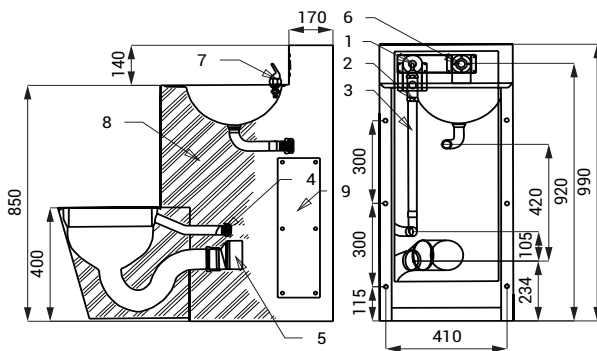
## Characteristics



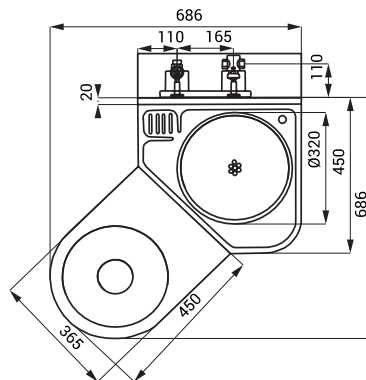
- **vandal-proof**
- **suitable for prison**
- corner combination with toilet, washbasin, washbasin spout and a toilet paper hole
- push button washbasin spout
- push button for toilet flushing
- SLWN 18P - floor standing toilet on the right side
- SLWN 18L - floor standing toilet on the left side
- SLWN 18ZP - hanging toilet on the right side
- SLWN 18ZL - hanging toilet on the left side
- filled with expanded polyurethane (to avoid dents and typical metal noise)
- rear assembling through the service hatch
- material AISI - 304
- brushed finish

## Dimensions

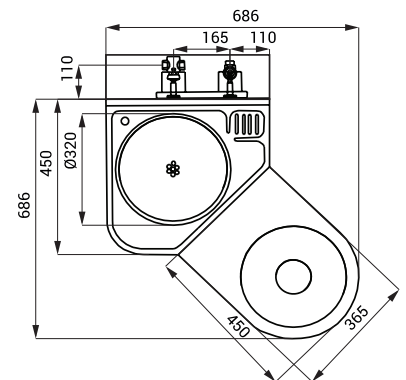
SLWN 18P/L



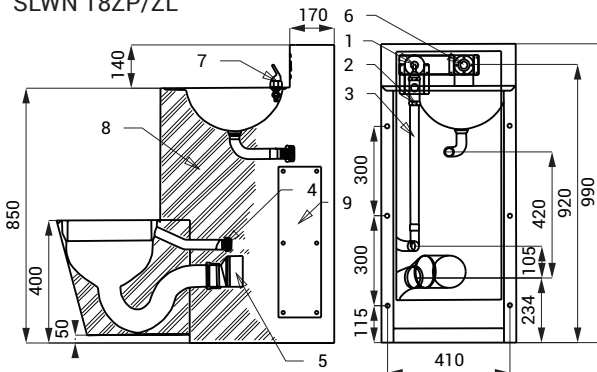
SLWN 18L/ZL



SLWN 18P/ZP



SLWN 18ZP/ZL



- 1 - push buttons for toilet flushing and washbasin spout
- 2 - toilet flushing valve - male thread G 3/4"
- 3 - connecting pipe between toilet push button valve to the toilet (is not included)
- 4 - connection to toilet (is not included)
- 5 - waste outlet connection (Ø 100 mm) from toilet (is not included)
- 6 - washbasin valve - male thread G 1/2"; female thread G 1/2"
- 7 - washbasin spout
- 8 - filled with expanded polyurethane
- 9 - service hatch

## Supply Specification

- SLWN 18P - Supply No. 94182 stainless steel combination unit with toilet and washbasin, push button (2 pcs.), washbasin spout, mounting set
- SLWN 18L - Supply No. 94181
- SLWN 18ZP - Supply No. 94184
- SLWN 18ZL - Supply No. 94183

## Recommended Accessories

- SLA 25 - Supply No. 06250 set for connection between push button valve and toilet and between push button valve and washbasin spout