

# Vandal-proof Combination Units SLWN 08PP, 08LP, 08ZPP, 08ZLP

## Characteristics



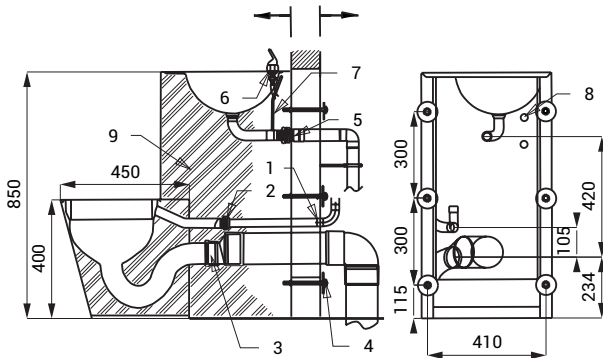
SLWN 08PP

- vandal-proof
- suitable for prison
- piezo corner combination with toilet, washbasin, washbasin spout and a toilet paper hole
- piezo button for washbasin spout
- piezo button for toilet flushing
- SLWN 08PP - floor standing toilet on the right side
- SLWN 08LP - floor standing toilet on the left side
- SLWN 08ZPP - hanging toilet on the right side
- SLWN 08ZLP - hanging toilet on the left side
- filled with expanded polyurethane (to avoid dents and typical metal noise)
- rear assembling by screws (M10, length 190 mm), from the service room
- water flows (or flushing the toilet) after soft push of the piezo button
- water stops flowing after adjustable flowing time (by washbasin can be set in 2 - 62 s, standard 10 s and by toilet can be set in 0,5 - 15,5 s, standard 8 s)
- water could be stopped by follow-up soft push of piezo button
- automatic hygiene flush after each eight flush or 24 hours non using of toilet
- parameters adjustment by remote control SLD 04
- material AISI - 304
- brushed finish

## Dimensions

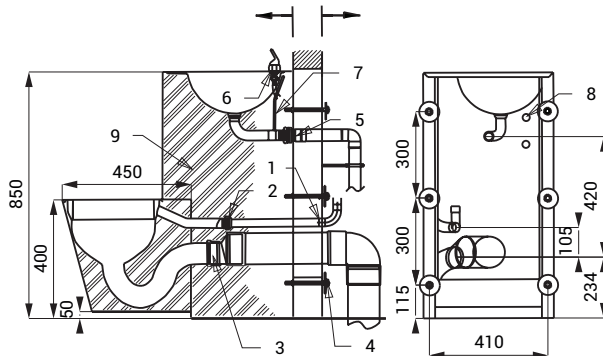
SLWN 08PP/LP

CELL SERVICE ROOM



SLWN 08ZPP/ZLP

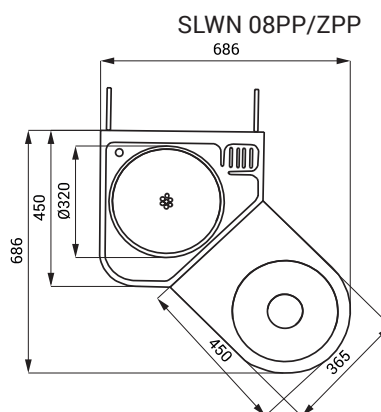
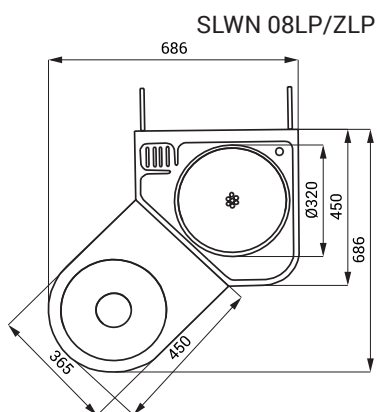
CELL SERVICE ROOM



## Technical Specification

<b>Operating voltage</b>	24 V DC
<b>Power input</b>	14 W
<b>Recommended flow pressure</b>	0,1 - 0,6 MPa
<b>Rate of flow</b>	6 l/min. (inf. data)
<b>Water inlet</b>	male thread G 1"

- 1 - connecting pipe between toilet push button valve to the toilet (is not included)
- 2 - connection to the toilet (is not included)
- 3 - waste outlet connection (Ø 100 mm) from toilet (is not included)
- 4 - M10 screw (length 190 mm) + anchor + nut (6 pcs.)
- 5 - waste outlet pipe from the washbasin (is not included)
- 6 - waste outlet pipe from the washbasin (is not included)
- 7 - water inlet (is not included)
- 8 - piezo buttons
- 9 - filled with expanded polyurethane



## Supply Specification

- SLWN 08PP - Supply No. 94085 stainless steel combination unit with toilet and washbasin, piezo electronics  
 SLWN 08LP - Supply No. 94086 (2 pcs.), washbasin spout, screws M10 (6 pcs.)  
 SLWN 08ZPP - Supply No. 94087  
 SLWN 08ZLP - Supply No. 94088

## Recommended Accessories

- SLZ 01Y - Supply No. 05012 power supply 24 V DC for max. 2 pcs. of combination units  
 SLZ 01Z - Supply No. 05011 power supply 24 V DC for max. 4 pcs. of combination units  
 SLZ 04Y - Supply No. 05042 power supply 24 V DC on DIN rail, for max. 2 pcs. of combination units  
 SLZ 04Z - Supply No. 05041 power supply 24 V DC on DIN rail, for max. 4 pcs. of combination units  
 SLZ 04X - Supply No. 10049 power supply 24 V DC on DIN rail, for max. 7 pcs. of combination units  
 SLD 04 - Supply No. 07040 remote control for an adjustment of parameters