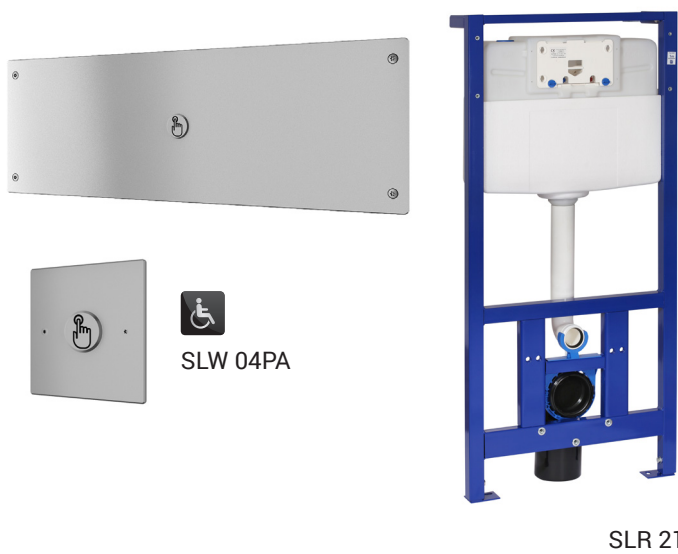


Piezo Toilet Flushing Unit SLW 04PA

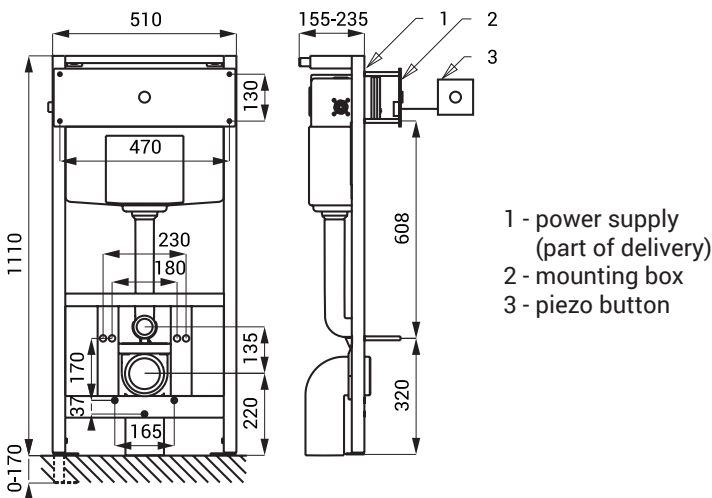


Characteristics



- with second piezo button for remote flush for disabled people
- vandal-proof
- suitable for prison
- including the mounting frame SLR 21
- mounting frame with tank destined for plasterboard constructions
- five-point system for fixing of stainless steel toilets
- metal frame construction with surface finishing - blue powder coated
- mounting screws M10, waste pipe holder with connecting set Ø 50 mm and waste pipe holder with the elbow pipe Ø 110 mm
- special vandal-proof stainless steel cover, thickness 3 mm, safety screws
- water flows after soft push of the piezo button
- adjustable flushing time 0,5 - 15,5 s, standard 5 s
- automatic hygiene flush after each 8 use of toilet and after 24 hours non-use
- parameter adjustment using by the remote control SLD 04

Dimensions



Technical Specification

| | |
|---|-------------------------------------|
| Stainless steel cover dimension | 500 x 170 x 3 mm |
| Stainless steel cover dimension for remote flush | 85 x 90 x 3 mm |
| Frame dimension | 510 x 1120 - 1290 x 155 x 235 mm |
| Operating voltage | 24 V DC |
| Power input | 13 W |
| Recommended flow pressure | 0,15 - 0,6 MPa |
| Water inlet | male thread G 1/2" |
| Water outlet | inlet fitting with a rubber sealing |

Supply Specification

SLW 04PA - Supply No. 14046 stainless steel cover with piezo electronics, control mechanism with servomotor, torx screws (4 pcs.), mounting frame with tank SLR 21, stainless steel cover with piezo electronics of remote flushing, plastic mounting box, torx screws (2 pcs.), connecting cable (2500 mm), connectors

Recommended Accessories

| | |
|-----------------------------------|--|
| SLZ 01Y - Supply No. 05012 | power supply 24 V DC for operating of max. 2 pcs. of flushing units |
| SLZ 01Z - Supply No. 05011 | power supply 24 V DC for operating of max. 4 pcs. of flushing units |
| SLZ 04Y - Supply No. 05042 | power supply 24 V DC on DIN rail, for operating of max. 2 pcs. of flushing units |
| SLZ 04Z - Supply No. 05041 | power supply 24 V DC on DIN rail, for operating of max. 4 pcs. of flushing units |
| SLZ 04X - Supply No. 10049 | power supply 24 V DC on DIN rail, for operating of max. 7 pcs. of flushing units |
| SLD 04 - Supply No. 07040 | remote control for an adjustment of parameters |