

Piezo Toilet Flushing Unit SLW 03PA



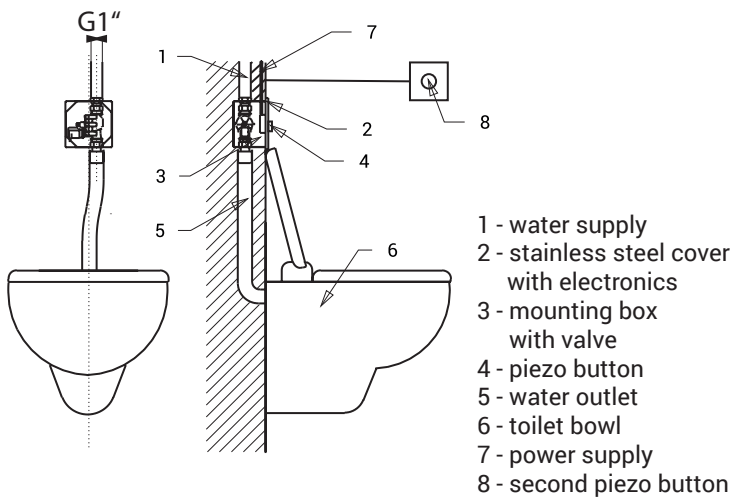
Characteristics

- with second piezo button for remote flush for disabled people
- vandal-proof
- suitable for prison
- special vandal-proof stainless steel cover, thickness 3 mm, safety screws
- toilet flushing unit for a pressure water from water distribution, isn't possible to use it for toilet with tank
- water flows after soft push of the piezo button
- adjustable flushing time 0,5 - 15,5 s, standard 5 s
- automatic hygiene flush after each 8 use of toilet and after 24 hours non-use
- electromagnetic valve with a possibility to regulate rate of flow, possibility to flush a toilet by turn of coil of the electromagnetic valve (f.e. in the case of electricity blackout)
- parameters adjustment by remote control SLD 04



Dimensions

Technical Specification



Stainless steel cover dimension	160 x 170 x 3 mm
Mounting box dimension	145 x 155 x 100 mm
Stainless steel cover dimension for remote flush	85 x 90 x 3 mm
Operating voltage	24 V DC
Power input	7 W
Recommended flow pressure	0,15 - 0,6 MPa
Rate of flow	60 l/min. (inf. data)
Water inlet	Ø min. 32 mm (PN 16) male thread G 1"
Water outlet	outlet fitting with a rubber sealing (as direct connection on the PVC pipe with outer Ø 40 mm)

Supply Specification

SLW 03PA - Supply No. 14036 stainless steel cover with piezo electronics, stainless steel mounting box with brass screw coupling and electromagnetic valve, outlet fitting with rubber seal, torx screws (4 pcs.), stainless steel cover with piezo electronics for remote flushing, plastic mounting box, torx screws (2 pcs.), connecting cable (2500 mm), connectors

Recommended Accessories

SLZ 01Y - Supply No. 05012	power supply 24 V DC for operating of max. 5 pcs. of flushing units
SLZ 01Z - Supply No. 05011	power supply 24 V DC for operating of max. 9 pcs. of flushing units
SLZ 04Y - Supply No. 05042	power supply 24 V DC on DIN rail, for operating of max. 5 pcs. of flushing units
SLZ 04Z - Supply No. 05041	power supply 24 V DC on DIN rail, for operating of max. 9 pcs. of flushing units
SLZ 04X - Supply No. 10049	power supply 24 V DC on DIN rail, for operating of max. 15 pcs. of flushing units
SLD 04 - Supply No. 07040	remote control for an adjustment of parameters
SLR 03 - Supply No. 08030	mounting frame for hanging toilet and flushing unit SLW 01xx, SLW 03PA
SLR 03N - Supply No. 08031	mounting frame to the plasterboard for hanging toilet and flushing unit SLW 01xx, SLW 03PA
SLR 03Z - Supply No. 08033	mounting frame to the wall for hanging toilet and flushing unit SLW 01xx, SLW 03PA