

Piezo Toilet Flushing Unit SLW 02PA



SLW 02PA



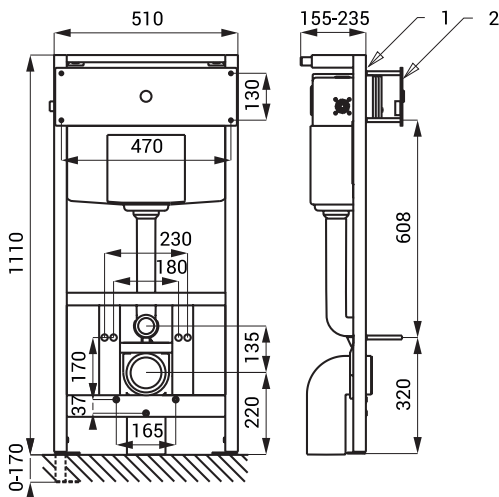
SLR 21

Characteristics



- vandal-proof
- suitable for prison
- including the mounting frame SLR 21
- mounting frame with tank destined for plasterboard constructions
- five-point system for fixing of stainless steel toilets
- metal frame construction with surface finishing - blue powder coated
- mounting screws M10, waste pipe holder with connecting set Ø 50 mm and waste pipe holder with the elbow pipe Ø 110 mm
- special vandal-proof stainless steel cover, thickness 3 mm, safety screws
- water flows after soft push of the piezo button
- adjustable flushing time 0,5 - 15,5 s, standard 5 s
- automatic hygiene flush after each eighth flush or 24 hours non using of toilet
- parameter adjustment using by the remote control SLD 04

Dimensions



- 1 - mounting frame SLR 21
2 - stainless steel cover with piezo electronics

Technical Specification

Stainless steel cover dimension	500 x 170 x 3 mm
Frame dimension	510 x 1120 - 1290 x 155 - 235 mm
Operating voltage	24 V DC
Power input	13 W
Recommended flow pressure	0,15 - 0,6 MPa
Water inlet	male thread G 1/2"
Water outlet	inlet fitting with a rubber sealing

Supply Specification

SLW 02PA - Supply No. 14026 stainless steel cover with piezo electronics, control mechanism with servomotor, torx screws (4 pcs.), mounting frame with tank SLR 21

Recommended Accessories

SLZ 01Y - Supply No. 05012	power supply 24 V DC for operating of max. 2 pcs. of flushing units
SLZ 01Z - Supply No. 05011	power supply 24 V DC for operating of max. 4 pcs. of flushing units
SLZ 04Y - Supply No. 05042	power supply 24 V DC on DIN rail, for operating of max. 2 pcs. of flushing units
SLZ 04Z - Supply No. 05041	power supply 24 V DC on DIN rail, for operating of max. 4 pcs. of flushing units
SLZ 04X - Supply No. 10049	power supply 24 V DC on DIN rail, for operating of max. 7 pcs. of flushing units
SLD 04 - Supply No. 07040	remote control for an adjustment of parameters