

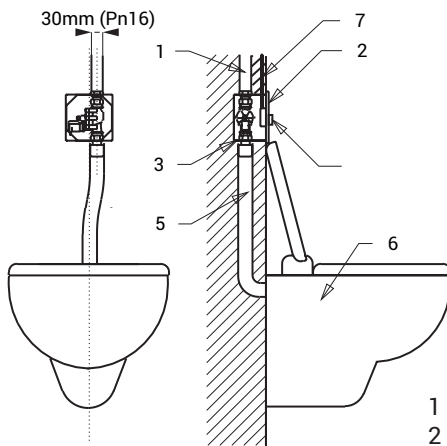
# Piezo Toilet Flushing Unit SLW 01P



## Characteristics

- vandal-proof
- toilet flushing unit for a pressure water from water distribution, isn't possible to use it for toilet with tank
- water flows after soft push of the piezo button
- adjustable flushing time 0,5 - 15,5 s, standard 8 s
- automatic hygiene flush after each 8 use of toilet and after 24 hours non-use
- electromagnetic valve with a possibility to regulate rate of flow, possibility to flush a toilet by turn of coil of the electromagnetic valve (f.e. in the case of electricity blackout)
- monitoring of battery capacity (for models with index B)
- parameters adjustment by remote control SLD 04

## Installation Drawing



- 1 - water supply  
2 - stainless steel cover with electronics  
3 - mounting box  
4 - piezo button  
5 - water outlet  
6 - toilet bowl  
7 - power supply

## Technical Specification

<b>Stainless steel cover dimension</b>	170 x 160 x 10 mm
<b>Mounting box dimension</b>	145 x 155 x 100 mm
<b>Operating voltage</b>	
▪ SLW 01P	24 V DC
▪ SLW 01PB	6 V
<b>Power input</b>	
▪ operating by 24 V DC	7 W
▪ operating by 6 V	3 W
<b>Recommended flow pressure</b>	0,15 - 0,6 MPa
<b>Rate of flow</b>	60 l/min. (inf. data)
<b>Water inlet</b>	Ø min. 32 mm (PN 16) male thread G 1"
<b>Water outlet</b>	outlet fitting with a rubber sealing (as direct connection on the PVC pipe with outer Ø 40 mm)

## Supply Specification

SLW 01P - Supply No. 14015	stainless steel cover with piezo electronics, stainless steel mounting box with brass screw coupling and electromagnetic valve, inlet fitting with a rubber sealing,
SLW 01PB - Supply No. 14010	4 pcs. alkaline batteries AA, 1,5 V, 2700 mAh (SLW 01PB)

## Recommended Accessories

SLZ 01Y - Supply No. 05012	power supply 24 V DC for operating of max. 5 pcs. of flushing units
SLZ 01Z - Supply No. 05011	power supply 24 V DC for operating of max. 9 pcs. of flushing units
SLZ 04Y - Supply No. 05042	power supply 24 V DC on DIN rail, for operating of max. 5 pcs. of flushing units
SLZ 04Z - Supply No. 05041	power supply 24 V DC on DIN rail, for operating of max. 9 pcs. of flushing units
SLZ 04X - Supply No. 10049	power supply 24 V DC on DIN rail, for operating of max. 15 pcs. of flushing units
SLD 04 - Supply No. 07040	remote control for an adjustment of parameters
SLR 03 - Supply No. 08030	mounting frame for hanging toilet and flushing unit SLW 01xx, SLW 03PA
SLR 03N - Supply No. 08031	mounting frame to the plasterboard for hanging toilet and flushing unit SLW 01xx, SLW 03PA
SLR 03Z - Supply No. 08033	mounting frame to the wall for hanging toilet and flushing unit SLW 01xx, SLW 03PA
SLA 36 - Supply No. 06360	set of 4 pcs. alkaline batteries AA 1,5 V, 2700 mAh (for models with index B)