

Stainless Steel Cleaner's Sinks SLVN 03A, SLVN 03



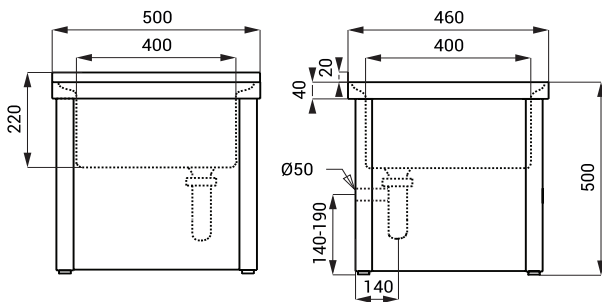
SLVN 03A

Characteristics



- vandal-proof
- stainless steel floor standing cleaner's sink
- with grating
- is destined for the installation to the open space
- rear assembling over the service hatch
- material AISI - 304
- brushed finish

Dimensions



Supply Specification

SLVN 03A - Supply No. 98037 stainless steel cleaner's sink, grating, siphon, mounting set

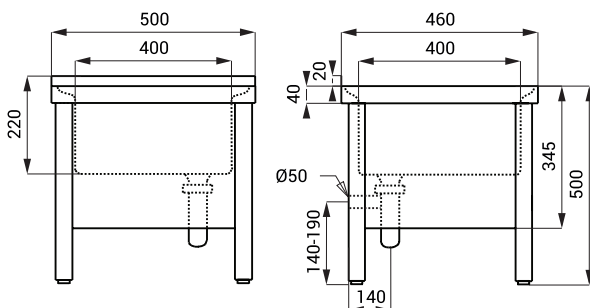


SLVN 03

Characteristics

- stainless steel floor standing cleaner's sink
- with grating
- is destined for the installation to the open space
- material AISI - 304
- brushed finish

Dimensions



Supply Specification

SLVN 03 - Supply No. 98030 stainless steel cleaner's sink, grating, siphon