

Stainless Steel Piezo Washbasins SLUN 71P, SLUN 72P, SLUN 72PT



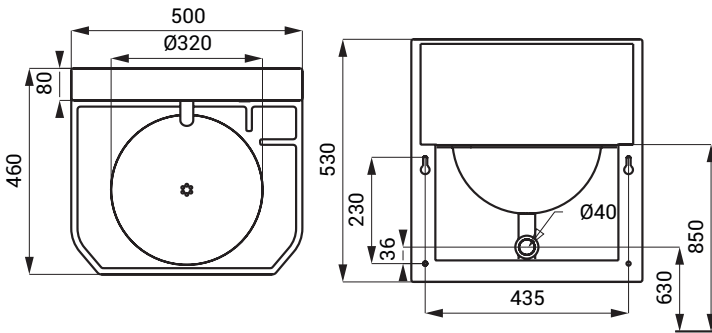
SLUN 71P

Characteristics



- economical aerator, rate of flow 6 l/min
- hygienic flush
- vandal-proof
- suitable for prison
- stainless steel wall hung washbasin with piezo electronics and special anti-suicide spout
- SLUN 71P - is destined for cold a premixed water
- SLUN 72P - is destined for cold and hot water, temperature is regulated by angle valves
- SLUN 72PT - is destined for cold and hot water, temperature is regulated by thermostatic valve
- rear assembling through the service hatch
- water flows after soft push of the piezo button
- water stops flowing after adjustable flowing time (can be set in 2 - 62 s), standard 10 s
- water could be stopped by follow-up soft push of piezo button
- monitoring of battery capacity (for models with index B)
- parameter adjustment using by the remote control SLD 04
- material AISI - 304
- brushed finish

Dimensions



Technical Specification

Operating voltage

- SLUN 71P, 72P, 72PT 24 V DC
- SLUN 71PB, 72PB, 72PTB 6 V

Power input

- operating by 24 V DC 7 W
- operating by 6 V 3 W

Battery life

- 4 pcs. AA alkaline batteries approx. 2 years (100 uses per day)
- AA, 1,5 V, 2700 mAh

Recommended flow pressure

0,1 - 0,6 MPa

Rate of flow

6 l/min. (inf. data)

Water inlet

male thread G 1/2"

Supply Specification

SLUN 71P - Supply No. 93717 stainless steel washbasin with piezo electronics and spout, electromagnetic valve (1 pc.), angle valve with filter (1 pc.), connecting hoses, siphon, mounting set, 4 pcs. AA alkaline batteries 1,5 V, 2700 mAh (SLUN 71PB)

SLUN 72P - Supply No. 93727 stainless steel washbasin with piezo electronics and spout, electromagnetic valve (1 pc.), Y-piece, angle valve with filter and check valve (2 pcs.), connecting hoses, siphon, mounting set, 4 pcs. AA alkaline batteries 1,5 V, 2700 mAh (SLUN 72PB)

SLUN 72PT - Supply No. 73727 stainless steel washbasin with piezo electronics and spout, electromagnetic valve (1 pc.), thermostatic valve (1 pc.), angle valve with filter and check valve (2 pcs.), connecting hoses, siphon, mounting set, 4 pcs. AA alkaline batteries 1,5 V, 2700 mAh (SLUN 72PTB)

Recommended Accessories

- SLZ 01Y - Supply No. 05012 power supply 24 V DC for operating of max. 5 pcs. of washbasins
- SLZ 01Z - Supply No. 05011 power supply 24 V DC for operating of max. 9 pcs. of washbasins
- SLZ 04Y - Supply No. 05041 power supply 24 V DC for DIN rail, for operating of max. 5 pcs. of washbasins
- SLZ 04Z - Supply No. 05042 power supply 24 V DC for DIN rail, for operating of max. 9 pcs. of washbasins
- SLZ 04X - Supply No. 10049 power supply 24 V DC for DIN rail, for operating of max. 15 pcs. of washbasins
- SLZ 06 - Supply No. 05060 power supply 24 V DC for operating of max. 1 pcs. of washbasin
- SLD 04 - Supply No. 07040 remote control for an adjustment of parameters
- SLA 36 - Supply No. 06360 set of 4 pcs. alkaline batteries AA, 1,5 V, 2700 mAh (for models with index B)
- SLA 56A - Supply No. 06560 economical aerator 3,8 l/min
- SLA 56B - Supply No. 06561 economical aerator 1,9 l/min