

Stainless Steel Automatic Washbasins

SLUN 71E, SLUN 72E, SLUN 72ET



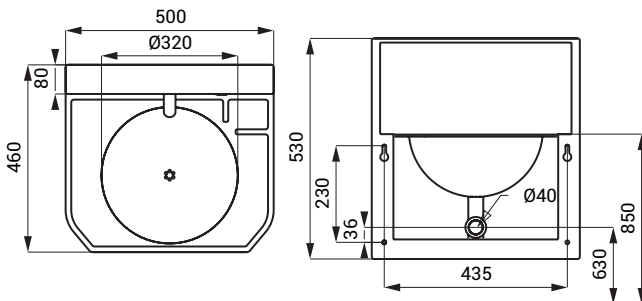
SLUN 71E

Characteristics



- economical aerator, rate of flow 6 l/min
- hygienic flush
- vandal-proof
- suitable for prison
- stainless steel wall hung washbasin with infra-red electronics and special anti-suicide spout
- SLUN 71E - is destined for cold a premixed water
- SLUN 72E - is destined for cold and hot water, temperature is regulated by angle valves
- SLUN 72ET - is destined for cold and hot water, temperature is regulated by thermostatic valve
- rear assembling through the service hatch
- water is flowing as long as hands are in the active range
- water stops flowing after removal of hands from the active range of sensor after adjustable time delay (can be set in range 0,25 – 7,75 s)
- function of automatic water stop after 5 minut of continuous flow
- monitoring of battery capacity (for models with index B)
- START/STOP program
- parameter adjustment using by the remote control SLD 03
- material AISI - 304
- brushed finish

Dimensions



Technical Specification

Operating voltage

- SLUN 71E, 72E, 72ET 24 V DC
- SLUN 71EB, 72EB, 72ETB 6 V

Power input

- operating by 24 V DC 7 W
- operating by 6 V 3 W

Battery life

- 4 pcs. AA alkaline batteries approx. 2 years (100 uses per day)
- AA, 1,5 V, 2700 mAh

Active range

- 0,23 - 0,31 m

Recommended flow pressure

- 0,1 - 0,6 MPa

Rate of flow

- 6 l/min. (inf. data)

Water inlet

- male thread G 1/2"

Supply Specification

- SLUN 71E** - Supply No. 93711 stainless steel washbasin with electronics and spout, electromagnetic valve (1 pc.),
SLUN 71EB - Supply No. 93712 connecting hoses, angle valve with filter (1 pc.), siphon, mounting set, 4 pcs. AA alkaline batteries 1,5 V, 2700 mAh (SLUN 71EB)
- SLUN 72E** - Supply No. 93721 stainless steel washbasin with electronics and spout, electromagnetic valve (1 pc.),
SLUN 72EB - Supply No. 93722 Y-piece, connecting hoses, angle valve with filter and check valve (2 pcs.), siphon, mounting set, 4 pcs. AA alkaline batteries 1,5 V, 2700 mAh (SLUN 72EB)
- SLUN 72ET** - Supply No. 93723 stainless steel washbasin with electronics and spout, electromagnetic valve (1 pc.),
SLUN 72ETB - Supply No. 93724 thermostatic valve (1 pc.), connecting hoses, angle valve with filter and check valve (2 pcs.), siphon, mounting set, 4 pcs. AA alkaline batteries 1,5 V, 2700 mAh (SLUN 72ETB)

Recommended Accessories

- SLZ 01Y** - Supply No. 05012 power supply 24 V DC for operating of max. 5 pcs. of washbasins
- SLZ 01Z** - Supply No. 05011 power supply 24 V DC for operating of max. 9 pcs. of washbasins
- SLZ 04Y** - Supply No. 05041 power supply 24 V DC for DIN rail, for operating of max. 5 pcs. of washbasins
- SLZ 04Z** - Supply No. 05042 power supply 24 V DC for DIN rail, for operating of max. 9 pcs. of washbasins
- SLZ 04X** - Supply No. 10049 power supply 24 V DC for DIN rail, for operating of max. 15 pcs. of washbasins
- SLZ 06** - Supply No. 05060 power supply 24 V DC for operating of max. 1 pc. washbasin
- SLD 03** - Supply No. 07030 remote control for an adjustment of parameters
- SLA 36** - Supply No. 06360 set of 4 pcs. alkaline batteries AA, 1,5 V, 2700 mAh (for models with index B)
- SLA 56A** - Supply No. 06560 economical aerator 3,8 l/min
- SLA 56B** - Supply No. 06561 economical aerator 1,9 l/min