

Stainless Steel Drinking Fountains SLUN 62, SLUN 62S



SLUN 62

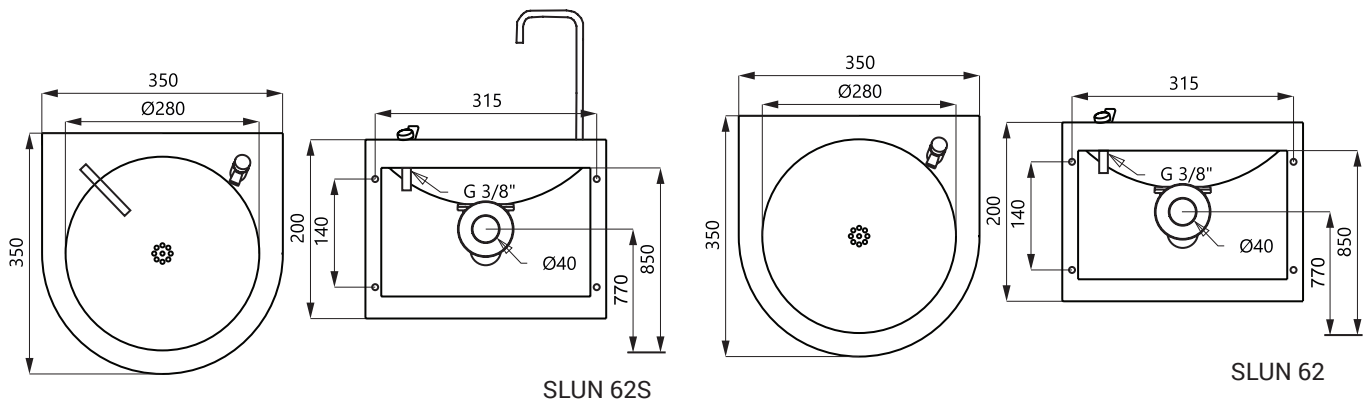


SLUN 62S

Characteristics

- stainless steel wall hung drinking fountains with self closing drinking spout and bottle filler (SLUN 62S)
- water flow regulation on drinking spout
- material AISI - 304
- brushed finish

Dimensions



Supply Specification

SLUN 62 - Supply No. 93620
SLUN 62S - Supply No. 83625

stainless steel drinking fountain, self closing drinking spout and bottle filler (SLUN 62S), angle valve with filter, connecting hoses, siphon, mounting set