

Stainless Steel Automatic Drinking Fountain SLUN 43E



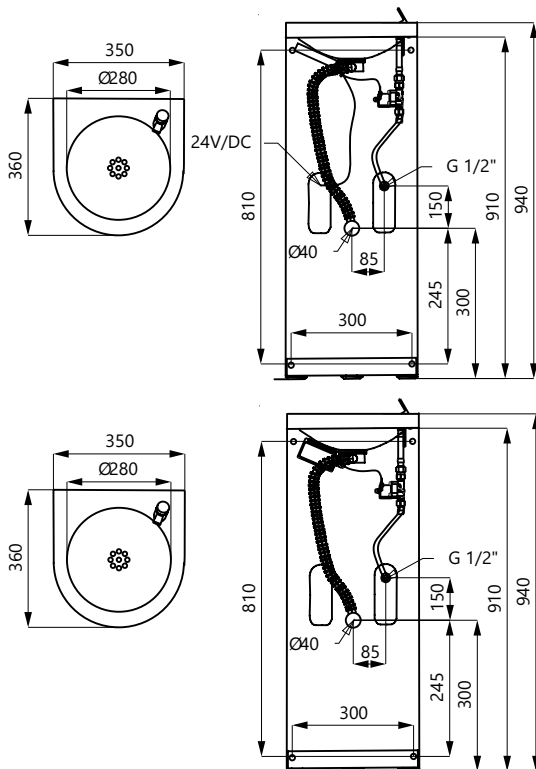
SLUN 43E, SLUN 43EB

Characteristics



- hygienic flush
- stainless steel floor standing drinking fountain with automatic infra-red drinking spout
- mounting to the wall
- system reacts to the user's face in front of the sensor
- water stops after user leaving the active range of the sensor
- function of automatic water stop after 5 min of continuous flow
- monitoring of battery capacity (for models with index B)
- START/STOP program
- parameter adjustment using by the remote control SLD 03
- water flow regulation on drinking spout
- filled with expanded polyurethane (to avoid dents and typical metal noise)
- material AISI - 304
- inner bowl high polished finish, sheating brushed finish

Dimensions



Technical Specification

Operating voltage

- SLUN 43E 24 V DC
- SLUN 43EB 6 V DC

Power input

- operating by 24 V DC 7 W
- operating by 6 V 3 W

Battery life

- 4 pcs. AA alkaline batteries approx. 2 years (100 uses per day)

Active range

0,23 - 0,31 m

Recommended flow pressure

0,1 - 0,6 MPa

Rate of flow

0,4 l/min. (inf. data)

Water inlet

male thread G 1/2"

Supply Specification

SLUN 43E - Supply No. 83437

SLUN 43EB - Supply No. 83436

stainless steel drinking fountain, drinking spout with electronics, electromagnetic valve (1 pc.), angle valve with filter and check valve (1 pc.), connecting hoses, siphon, 4 pcs. AA alkaline batteries 1,5 V, 2700 mAh (SLUN 43EB)

Recommended Accessories

SLZ 01Y - Supply No. 05012

SLZ 01Z - Supply No. 05011

SLZ 04Y - Supply No. 05042

SLZ 04Z - Supply No. 05041

SLZ 04X - Supply No. 10049

SLD 03 - Supply No. 07030

SLA 36 - Supply No. 06360

power supply 24 V DC for operating of max. 5 pcs. of spouts

power supply 24 V DC for operating of max. 9 pcs. of spouts

power supply 24 V DC for DIN rail, for operating of max. 5 pcs. of spouts

power supply 24 V DC for DIN rail, for operating of max. 9 pcs. of spouts

power supply 24 V DC for DIN rail, for operating of max. 15 pcs. of spouts

remote control for an adjustment of parameters

set of 4 pcs. alkaline batteries AA, 1,5 V, 2700 mAh (for models with index B)