

Stainless Steel Drinking Fountains

SLUN 43C, SLUN 43CS



SLUN 43C

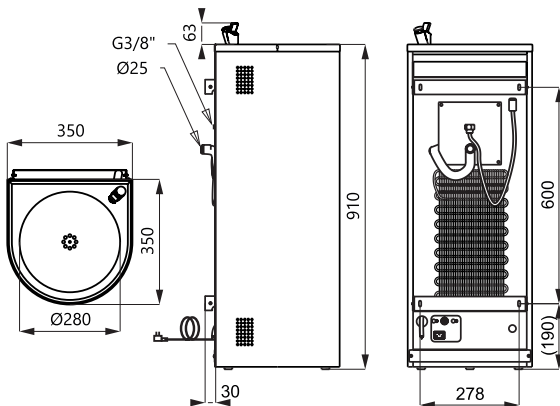


SLUN 43CS

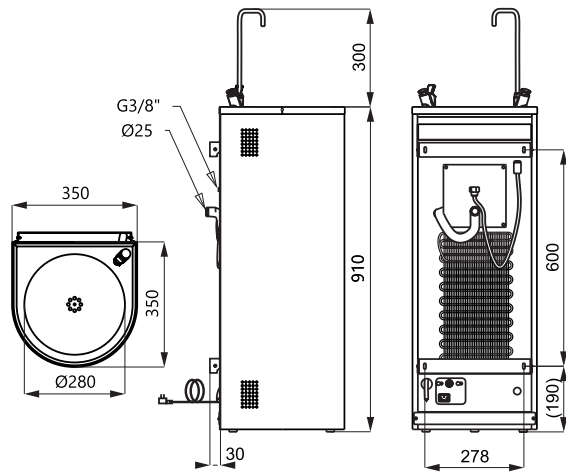
Characteristic

- stainless steel floor standing drinking fountain with self closing drinking spout and cooler (SLUN 43C)
- stainless steel floor standing drinking fountain with self closing drinking spout and bottle filler, cooler (SLUN 43CS)
- cooler temperature range 4 - 10 °C
- mounting to the wall
- water flow regulation on drinking spout and bottle filler
- filled with expanded polyurethane (to avoid dents and typical metal noise)
- material AISI - 304
- inner bowl polished finish, sheathing brushed finish

Dimensions



SLUN 43C



SLUN 43CS

Supply Specification

SLUN 43C - Supply No. 83438 stainless steel drinking fountain, self closing drinking spout, bottle filler (SLUN 43CS),
SLUN 43CS - Supply No. 83439 cooler, siphon, mounting set, flexible cable with plug for wall socket, 230 V AC, 50 Hz