

Stainless Steel Drinking Fountains

SLUN 43, SLUN 43C, SLUN 43S, SLUN 43CS



SLUN 43, 43C

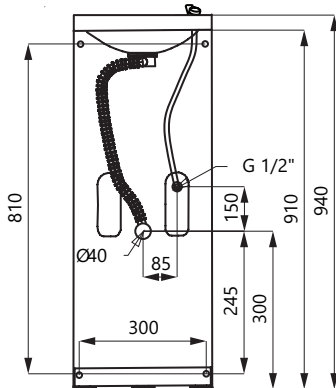


SLUN 43S, 43CS

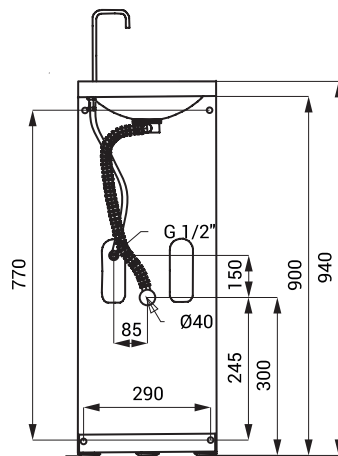
Characteristic

- stainless steel floor standing drinking fountain with self closing drinking spout (SLUN 43)
- stainless steel floor standing drinking fountain with self closing drinking spout and cooler (SLUN 43C)
- stainless steel floor standing drinking fountain with self closing drinking spout and bottle filler (SLUN 43S)
- stainless steel floor standing drinking fountain with self closing drinking spout and bottle filler, cooler (SLUN 43CS)
- cooler temperature range 2 - 8 °C (for models with index C)
- mounting to the wall
- water flow regulation on drinking spout and bottle filler
- filled with expanded polyurethane (to avoid dents and typical metal noise)
- material AISI - 304
- inner bowl high polished finish, sheating brushed finish

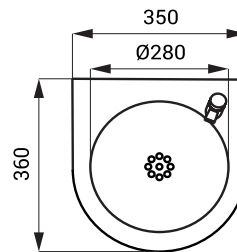
Dimensions



SLUN 43, 43C



SLUN 43S, 43CS



Supply Specification

SLUN 43	- Supply No. 93430	stainless steel drinking fountain, self closing drinking spout, bottle filler (SLU 43S),
SLUN 43S	- Supply No. 83435	siphon, mounting set
SLUN 43C	- Supply No. 83438	stainless steel drinking fountain, self closing drinking spout, bottle filler (SLUN 43CS),
SLUN 43CS	- Supply No. 83439	cooler, siphon, mounting set, flexible cable with plug for wall socket, 230 V AC, 50 Hz