

Stainless Steel Drinking Fountains SLUN 23, SLUN 23M



SLUN 23

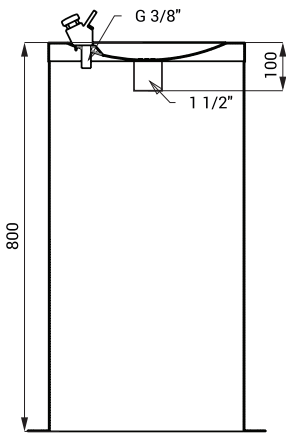


SLUN 23M

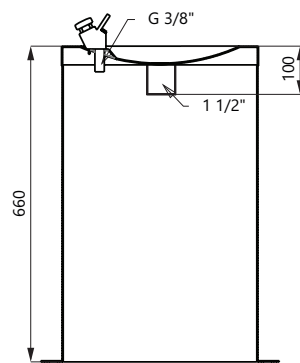
Characteristics

- stainless steel floor standing drinking fountain with self closing drinking spout, height 800 mm (SLUN 23)
- stainless steel floor standing drinking fountain with self closing drinking spout for children, height 650 mm (SLUN 23M)
- mounting to the floor
- water flow regulation on drinking spout
- filled with expanded polyurethane (to avoid dents and typical metal noise)
- material AISI - 304
- inner bowl high polished finish, sheathing brushed finish

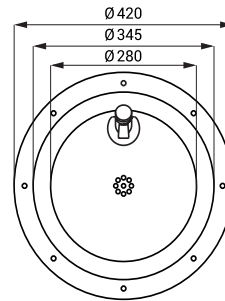
Dimensions



SLUN 23



SLUN 23M



Supply Specification

- SLUN 23 - Supply No. 93230 stainless steel drinking fountain, angle valve with filter, connecting hoses, siphon,
SLUN 23M - Supply No. 83236 mounting set