

Stainless Steel Washbasins SLUN 22M, SLUN 41M

Characteristics

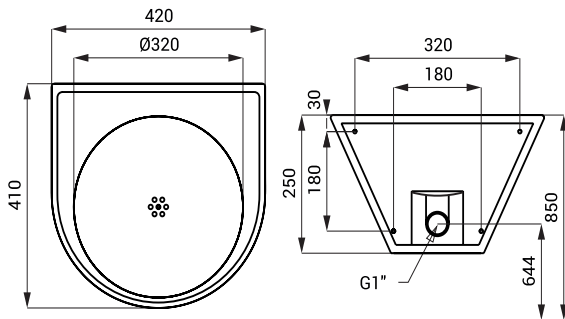


- vandal-proof
- suitable for a prison
- stainless steel wall hung washbasin
- rear assembling by screws (M10, length 190 mm) from the service room
- without a tap hole (could be made to order)
- filled with expanded polyurethane (to avoid dents and typical metal noise)
- material AISI - 304
- brushed finish



SLUN 22M

Dimensions



SLUN 22M

Supply Specification

SLUN 22M - Supply No. 83226 stainless steel conical washbasin, mounting set



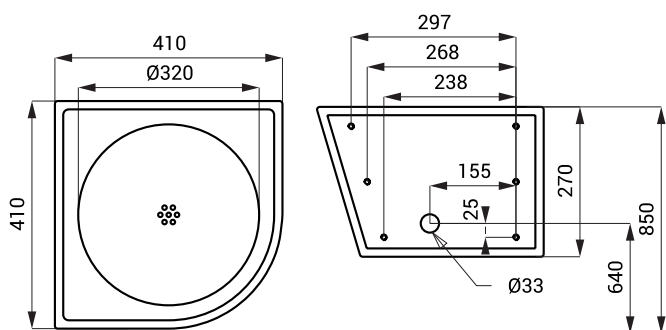
SLUN 41M

Characteristic



- **vandal-proof**
- **suitable for a prison**
- stainless steel wall hung corner washbasin
- rear assembling by screws (M10, length 190 mm) from the service room
- without a tap hole (could be made to order)
- filled with expanded polyurethane (to avoid dents and typical metal noise)
- material AISI - 304
- brushed finish

Dimensions



SLUN 41M

Supply Specification

SLUN 41M - Supply No. 83416 stainless steel conical washbasin, mounting set

Please, specify in the order the screws position (right or left execution).