

# Vandal-proof Stainless Steel Washbasins

## SLUN 22, SLUN 41



### Characteristics:



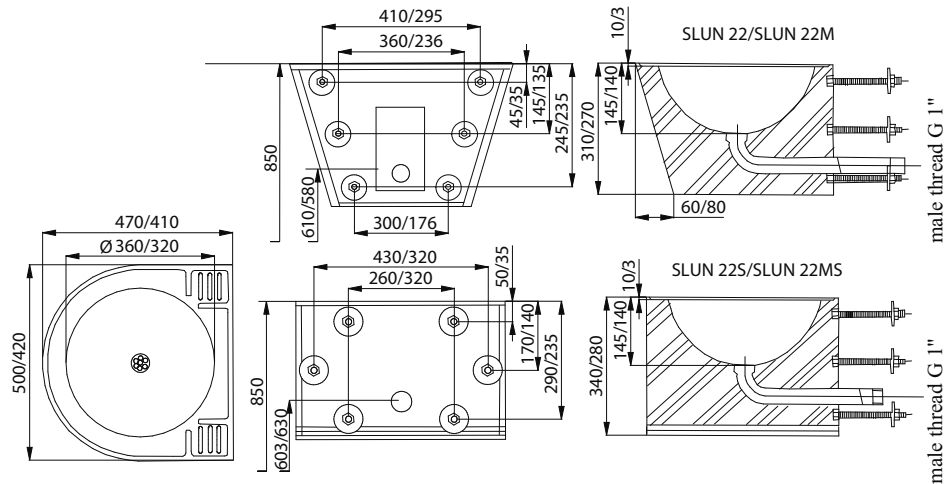
- **vandal-proof**
- **designed for prisons**
- stainless steel wall hung washbasin
- without a tap hole
- two integrated soap holders
- rear assembling by M10 screws (length 190 mm) from the service room
- filled with expanded polyurethane (to avoid dents and typical metal noise)
- material CrNi 18/10 (AISI-304)
- brushed finish



### Supply Specification:

- SLUN 22** – **supply No. 93220** stainless steel conical washbasin; Ø 360 mm; M10 screws
- SLUN 22S** – **supply No. 83225** stainless steel straight washbasin; Ø 360 mm; M10 screws
- SLUN 22M** – **supply No. 83226** stainless steel conical washbasin; Ø 320 mm; M10 screws
- SLUN 22MS** – **supply No. 83227** stainless steel straight washbasin; Ø 320 mm; M10 screws

### Dimensions:



### Characteristics:



- **vandal-proof**
- **designed for prisons**
- stainless steel wall hung corner conical washbasin (SLUN 41M) or straight washbasin (SLUN 41MS), Ø 320 mm
- without a tap hole
- two integrated soap holders
- rear assembling by M10 screws (length 190 mm) from the service room
- filled with expanded polyurethane (to avoid dents and typical metal noise)
- material CrNi 18/10 (AISI-304)
- brushed finish



### Supply Specification:

- SLUN 41M** – **supply No. 83416** stainless steel conical washbasin; Ø 320 mm; M10 screws
- SLUN 41MS** – **supply No. 83417** stainless steel straight washbasin; Ø 320 mm; M10 screws

**Please, specify in the order the screws position (right or left execution)!**

### Dimensions:

