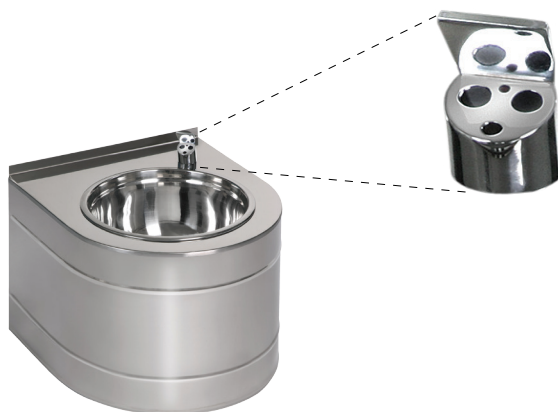


Stainless Steel Automatic Drinking Fountain SLUN 14E



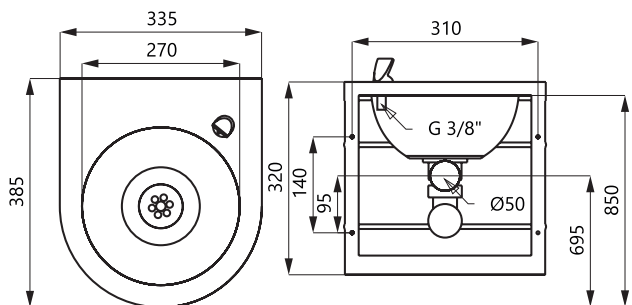
SLUN 14E

Characteristics



- hygienic flush
- stainless steel wall hung drinking fountain with automatic infra-red drinking spout
- system reacts to the user's face in front of the sensor
- water stops after user leaving the active range of the sensor
- function of automatic water stop after 5 minut of continuous flow
- monitoring of battery capacity (for models with index B)
- START/STOP program
- parameter adjustment using by the remote control SLD 03
- water flow regulation on drinking spout
- material AISI - 304
- polished finish

Dimensions



SLUN 14E

Technical Specification

Operating voltage	
▪ SLUN 14E	24 V DC
▪ SLUN 14EB	6 V DC
Power input	
▪ operating by 24 V DC	7 W
▪ operating by 6 V	3 W
Battery life	
▪ 4 pcs. AA alkaline batteries	approx. 2 years
AA, 1,5 V, 2700 mAh	(100 uses per day)
Active range	0,23 - 0,31 m
Recommended flow pressure	0,1 - 0,6 MPa
Rate of flow	0,4 l/min. (inf. data)
Water inlet	male thread G 1/2"

Supply Specification

SLUN 14E - Supply No. 93141
SLUN 14EB - Supply No. 93142

stainless steel drinking fountain, drinking spout with electronics, electromagnetic valve (1 pc.), angle valve with filter (1 pc.), connecting hoses, siphon, mounting set, 4 pcs. AA alkaline batteries 1,5 V, 2700 mAh (SLUN 14EB)

Recommended Accessories

SLZ 01Y - Supply No. 05012	power supply 24 V DC for operating of max. 5 pcs. of spouts
SLZ 01Z - Supply No. 05011	power supply 24 V DC for operating of max. 9 pcs. of spouts
SLZ 04Y - Supply No. 05042	power supply 24 V DC for DIN rail, for operating of max. 5 pcs. of spouts
SLZ 04Z - Supply No. 05041	power supply 24 V DC for DIN rail, for operating of max. 9 pcs. of spouts
SLZ 04X - Supply No. 10049	power supply 24 V DC for DIN rail, for operating of max. 15 pcs. of spouts
SLD 03 - Supply No. 07030	remote control for an adjustment of parameters
SLA 36 - Supply No. 06360	set of 4 pcs. alkaline batteries AA, 1,5 V, 2700 mAh (for models with index B)