

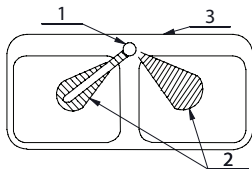
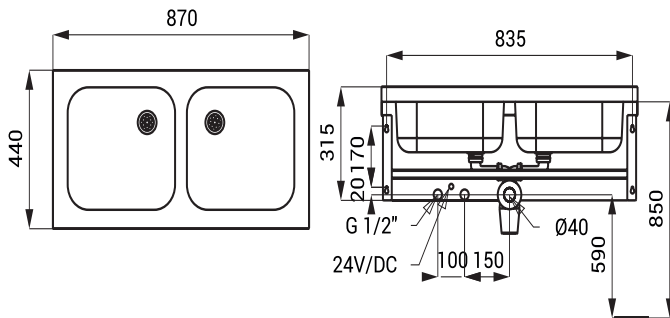
Stainless Steel Double-sink SLUN 06



Characteristics

- **hygienic flush**
- SLUN 06 - stainless steel wall hung double-sink with a sheating, without a tap hole (could be made to order)
- SLUN 06EX - stainless steel wall hung double-sink with a sheating and automatic wasbasin tap SLU 10 (2 active ranges)
- SLUN 06EXB - stainless steel wall hung double-sink with a sheating and automatic wasbasin tap SLU 10B (2 active ranges)
- material AISI - 304
- brushed finish

Dimensions



- 1 - automatic washbasin mixer
- 2 - active range
- 3 - double-sink

Technical Specification

Operating voltage

- SLUN 06EX 24 V DC
- SLUN 06EXB 6 V

Power input

- operating by 24 V DC 14 W
- operating by 6 V 11 W

Battery life

- 4 pcs. AA alkaline batteries approx. 2 years (100 uses per day)
- AA, 1,5 V, 2700 mAh

Rate of flow

12 l/min. (inf. data)

Water inlet

male thread G 1/2"

Water temperature regulation

by mixer

Supply Specification

- SLUN 06 - Supply No. 93060 stainless steel double-sink, siphon, mounting set, SLU 10 (SLUN 06EX), SLU 10B
- SLUN 06EX - Supply No. 93065 (SLUN 06EXB)
- SLUN 06EXB- Supply No. 93066

Recommended Accessories

- SLZ 01Y - Supply No. 05012 power supply 24 V DC for operating of max. 2 pcs. washbasin taps
- SLZ 01Z - Supply No. 05011 power supply 24 V DC for operating of max. 4 pcs. washbasin taps
- SLZ 04Y - Supply No. 05042 power supply 24 V DC for DIN rail, for operating of max. 2 pcs. washbasin taps
- SLZ 04Z - Supply No. 05041 power supply 24 V DC for DIN rail, for operating of max. 4 pcs. washbasin taps
- SLZ 04X - Supply No. 10049 power supply 24 V DC for DIN rail, for operating of max. 7 pcs. washbasin taps
- SLD 03 - Supply No. 07030 remote control for an adjustment of parameters
- SLA 36 - Supply No. 06360 set of 4 pcs. alkaline batteries AA, 1,5 V, 2700 mAh (for models with index B)
- SLA 55A - Supply No. 06550 economical aerator 3,8 l/min
- SLA 55B - Supply No. 06551 economical aerator 1,9 l/min