

Stainless Steel Automatic Sinks, Double-sinks SLUN 04E, SLUN 07E

Characteristics



- economical aerator, rate of flow 6 l/min
- hygienic flush
- vandal-proof
- stainless steel wall hung sink/double-sink with back wall and integrated infra-red electronics
- vandal-proof stainless steel spouts and sensing heads
- water is flowing as long as hands are in the active range
- water stops flowing after removal of hands from the active range of sensor after adjustable time delay (can be set in range 0,25 - 7,75 s)
- function of automatic water stop after 5 minut of continuous flow
- monitoring of battery capacity (for models with index B)
- START/STOP program
- parameter adjustment using by the remote control SLD 03
- temperature is regulated by angle valves (for models with index E) or by thermostatic mixer (for models with index ET)
- material AISI - 304
- brushed finish

Technical Specification

Operating voltage

- SLUN 04E, SLUN 04ET, SLUN 07E, SLUN 07ET 24 V DC
- SLUN 04EB, SLUN 04ETB, SLUN 07EB, SLUN 07ETB 6 V

Power input

- SLUN 04E, SLUN 04ET
 - operating by 24 V DC 7 W
 - operating by 6 V 3 W
- SLUN 07E, SLUN 07ET
 - operating by 24 V DC 14 W
 - operating by 6 V 5 W

Battery life

- 4 pcs. AA alkaline batteries approx. 2 years (100 uses per day)
- AA, 1,5 V, 2700 mAh

Active range

0 - 0,3 m

Recommended flow pressure

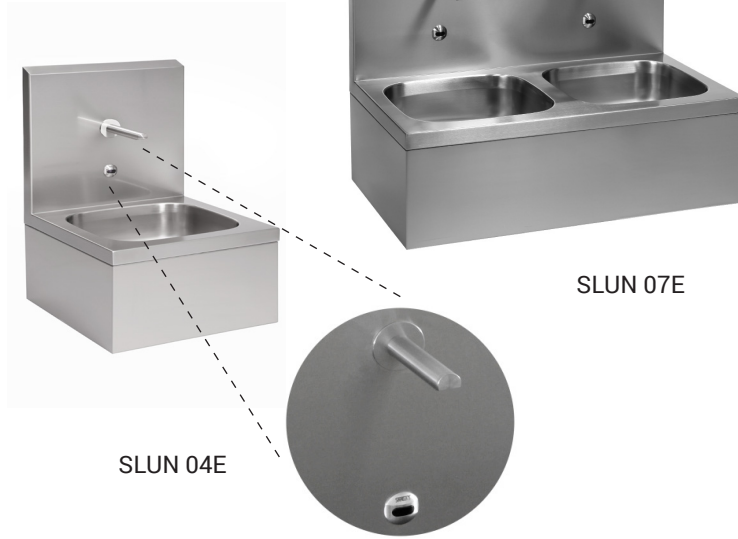
0,1 - 0,6 MPa

Rate of flow

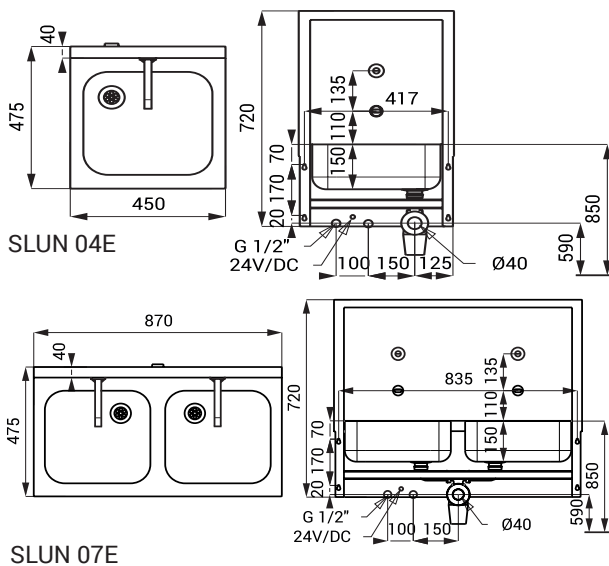
6 l/min. (inf. data)

Water inlet

male thread G 1/2"



Dimensions



Supply Specification

- | | |
|--------------------------------------|---|
| SLUN 04E - Supply No. 93041 | stainless steel sink with electronics and spout (1 pc.), electromagnetic valve (1 pc.), |
| SLUN 04EB - Supply No. 93042 | Y-piece, angle valve with filter and check valve (2 pcs.), connecting hoses, siphon, mounting set, 4 pcs. alkaline batteries AA 1,5 V, 2700 mAh (SLUN 04EB) |
| SLUN 04ET - Supply No. 93043 | stainless steel sink with electronics and spout (1 pc.), thermostat, electromagnetic |
| SLUN 04ETB - Supply No. 93044 | valve (1 pc.), angle valve with filter and check valve (2 pcs.), connecting hoses, siphon, mounting set, 4 pcs. alkaline batteries AA 1,5 V, 2700 mAh (SLUN 04ETB) |
| SLUN 07E - Supply No. 93071 | stainless steel double-sink with electronics and spout (2 pcs.), electromagnetic valve |
| SLUN 07EB - Supply No. 93072 | (2 pcs.), Y-piece (2 pcs.), angle valve with filter and check valve (4 pcs.), connecting hoses, siphon, mounting set, 4 pcs. alkaline batteries AA 1,5 V, 2700 mAh (SLUN 07EB) |
| SLUN 07ET - Supply No. 93073 | stainless steel double-sink with electronics and spout (2 pcs.), thermostat, |
| SLUN 07ETB - Supply No. 93074 | electromagnetic valve (2 pcs.), angle valve with filter and check valve (2 pcs.), connecting hoses, siphon, mounting set, 4 ks alkaline batteries AA 1,5 V, 2700 mAh (SLUN 07ETB) |

Recommended Accessories

SLZ 01Y	-	Supply No. 05012	power supply 24 V DC for operating of max. 5 pcs. of spouts
SLZ 01Z	-	Supply No. 05011	power supply 24 V DC for operating of max. 9 pcs. of spouts
SLZ 04Y	-	Supply No. 05042	power supply 24 V DC for DIN rail, for operating of max. 5 pcs. of spouts
SLZ 04Z	-	Supply No. 05041	power supply 24 V DC for DIN rail, for operating of max. 9 pcs. of spouts
SLZ 04X	-	Supply No. 10049	power supply 24 V DC for DIN rail, for operating of max. 15 pcs. of spouts
SLZ 06	-	Supply No. 05060	power supply 24 V DC for operating of max. 1 pc. of spout (SLUN 04E)
SLD 03	-	Supply No. 07030	remote control for an adjustment of parameters
SLA 36	-	Supply No. 06360	set of 4 pcs. alkaline batteries AA, 1,5 V, 2700 mAh (for models with index B)
SLA 56A	-	Supply No. 06560	economical aerator 3,8 l/min
SLA 56B	-	Supply No. 06561	economical aerator 1,9 l/min