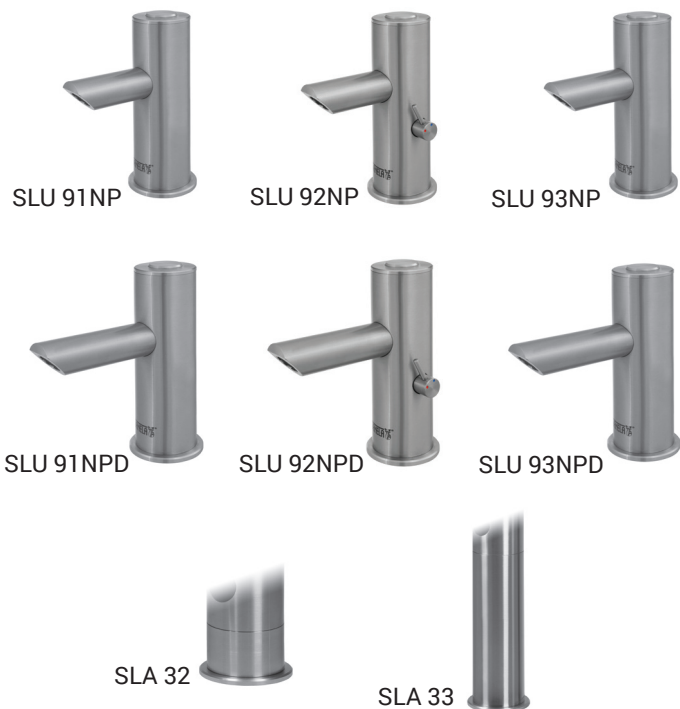


# Piezo Stainless Steel Washbasin Taps SLU 91NP, SLU 92NP, SLU 93NP

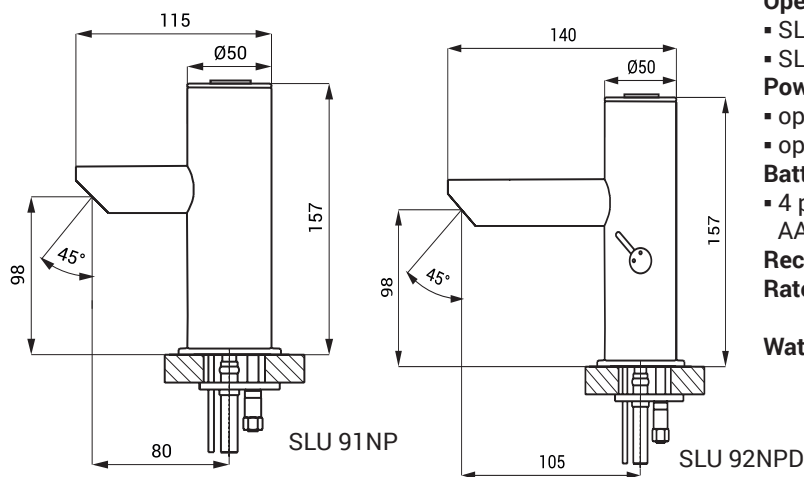


## Characteristics



- economical aerator, rate of flow 6 l/min
- hygienic flush
- vandal-proof
- lead free
- whole stainless steel
- electromagnetic valve is in the tap body
- SLU 91NP is destined for cold or premixed water
- SLU 92NP is destined for cold and hot water, temperature is regulated by mixer
- SLU 93NP is destined for cold and hot water, temperature is regulated by angle valves
- index D - longer spout
- water flows after soft push of the piezo button
- water stops flowing after adjustable flowing time (can be set in 2 - 62 s), standard 10 s
- water could be stopped by follow-up soft push of piezo button
- monitoring of battery capacity (for models with index B)
- parameter adjustment using by the remote control SLD 04

## Dimensions



## Technical Specification

### Operating voltage

- SLU 91NP, SLU 92NP, SLU 93NP 24 V DC
- SLU 91NPB, SLU 92NPB, SLU 93NPB 6 V

### Power input

- operating by 24 V DC 3 W
- operating by 6 V 2 W

### Battery life

- 4 pcs. AA alkaline batteries approx. 2 years (100 uses per day)
- AA, 1,5 V, 2700 mAh

### Recommended flow pressure

- 0,1 - 0,6 MPa
- Rate of flow 6 l/min. (inf. data)
- Water inlet male thread G 1/2"

## Specifikace dodávky

- |            |                 |   |
|------------|-----------------|---|
| SLU 91NP   | - obj. č. 66911 | faucet with piezo electronics and electromagnetic valve, connecting hoses, filter (1 pc.), 4 pcs. AA alkaline batteries 1,5 V, 2700 mAh (for models with index B)   |
| SLU 91NPB  | - obj. č. 66912 |   |
| SLU 91NPD  | - obj. č. 66913 |   |
| SLU 91NPDB | - obj. č. 66914 |   |
| SLU 92NP   | - obj. č. 66921 | faucet with mixer and piezo electronics and electromagnetic valve, connecting hoses, filter with check valve (2 pcs.), 4 pcs. AA alkaline batteries 1,5 V, 2700 mAh |
| SLU 92NPB  | - obj. č. 66922 | (for models with index B)   |
| SLU 92NPD  | - obj. č. 66923 |   |
| SLU 92NPDB | - obj. č. 66924 |   |
| SLU 93NP   | - obj. č. 66931 | faucet with piezo electronics and electromagnetic valve, Y-piece, connecting hoses, filter with check valve (2 pcs.), 4 pcs. AA alkaline batteries 1,5 V, 2700 mAh  |
| SLU 93NPB  | - obj. č. 66932 | (for models with index B)   |
| SLU 93NPD  | - obj. č. 66933 |   |
| SLU 93NPDB | - obj. č. 66934 |   |

## Recommended Accessories

SLZ 01Y	-	Supply No. 05012	power supply 24 V DC for operating of max. 10 pcs. of washbasin taps
SLZ 01Z	-	Supply No. 05011	power supply 24 V DC for operating of max. 20 pcs. of washbasin taps
SLZ 04Y	-	Supply No. 05042	power supply 24 V DC for DIN rail, for operating of max. 10 pcs. of washbasin taps
SLZ 04Z	-	Supply No. 05041	power supply 24 V DC for DIN rail, for operating of max. 20 pcs. of washbasin taps
SLZ 04X	-	Supply No. 10049	power supply 24 V DC for DIN rail, for operating of max. 30 pcs. of washbasin taps
SLZ 06	-	Supply No. 05060	power supply 24 V DC for operating of max. 1 pc. of washbasin tap
SLD 04	-	Supply No. 07040	remote control for an adjustment of parameters
SLT 04	-	Supply No. 09040	thermostatic valve 3/4", rate of flow 28 l/min by the pressure 0,1 MPa
SLT 05	-	Supply No. 09050	thermostatic valve 1/2", rate of flow 42 l/min by the pressure 0,1 MPa
SLA 32	-	Supply No. 06320	elongation 30 mm for SLU 91NP, 92NP, 93NP
SLA 33	-	Supply No. 06330	elongation 150 mm for SLU 91NP, 92NP, 93NP
SLA 36	-	Supply No. 06360	set of 4 pcs. alkaline batteries AA, 1,5 V, 2700 mAh (for models with index B)
SLA 56A	-	Supply No. 06560	economical aerator 3,8 l/min (SLU 91NP, SLU 92NP)
SLA 56B	-	Supply No. 06561	economical aerator 1,9 l/min (SLU 91NP, SLU 92NP)
SLA 57A	-	Supply No. 06570	economical aerator 3,8 l/min (SLU 93NP)
SLA 57B	-	Supply No. 06571	economical aerator 1,9 l/min (SLU 93NP)