

# Automatic Washbasin Mixer SLU 60

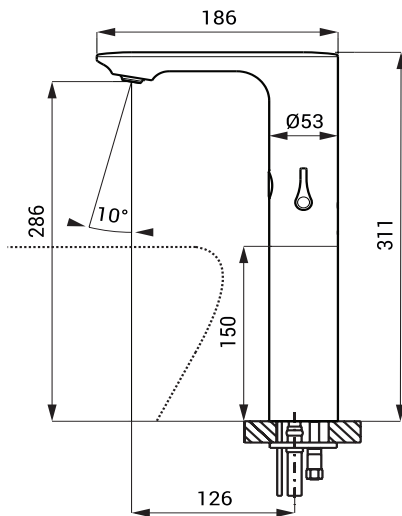


## Characteristics



- economical aerator, rate of flow 6 l/min
- hygienic flush
- possibility of water temperature adjustment by mixer and follow-up plug by cover
- is destined for washbasins on the desk
- max. height of washbasin is 150 mm
- electromagnetic valve is in the tap body
- is destined for cold and hot water, temperature is regulated by mixer
- water is flowing as long as hands are in the active range
- water stops flowing after removal of hands from the active range of sensor after adjustable time delay (can be set in range 0,25 – 7,75 s)
- function of automatic water stop after 5 minut of continuous flow
- monitoring of battery capacity (for models with index B)
- START/STOP program
- parameter adjustment using by the remote control SLD 03

## Dimensions



## Technical Specification

### Operating voltage

- SLU 60 24 V DC
- SLU 60B 6 V

### Power input

- operating by 24 V DC 2 W
- operating by 6 V 2 W

### Battery life

- 4 pcs. AA alkaline batteries approx. 2 years (100 uses per day)  
AA, 1,5 V, 2700 mAh

### Active range

- standard 0,13 - 0,19 m
- START/STOP program 0,05 - 0,15 m

### Recommended flow pressure

- 0,1 - 0,6 MPa

### Rate of flow

- 6 l/min. (inf. data)

### Water inlet

- male thread G 1/2"

## Supply Specification

- |         |                    |   |
|---------|--------------------|---|
| SLU 60  | - Supply No. 03600 | faucet with mixer, electronics and electromagnetic valve, connecting hoses, angle   |
| SLU 60B | - Supply No. 03605 | valve with filter and check valve (2 pcs.), cover for temperature mixer, 4 pcs. AA alkaline batteries 1,5 V, 2700 mAh with battery case (SLU 60B) |

## Recommended Accessories

- |         |                    |  |
|---------|--------------------|--|
| SLZ 01Y | - Supply No. 05012 | power supply 24 V DC for operating of max. 10 pcs. of washbasin taps               |
| SLZ 01Z | - Supply No. 05011 | power supply 24 V DC for operating of max. 20 pcs. of washbasin taps               |
| SLZ 04Y | - Supply No. 05042 | power supply 24 V DC for DIN rail, for operating of max. 10 pcs. of washbasin taps |
| SLZ 04Z | - Supply No. 05041 | power supply 24 V DC for DIN rail, for operating of max. 20 pcs. of washbasin taps |
| SLZ 04X | - Supply No. 10049 | power supply 24 V DC for DIN rail, for operating of max. 30 pcs. of washbasin taps |
| SLD 03  | - Supply No. 07030 | remote control for an adjustment of parameters                                     |
| SLA 36  | - Supply No. 06360 | set of 4 pcs. alkaline batteries AA, 1,5 V, 2700 mAh (for models with index B)     |
| SLA 57A | - Supply No. 06570 | economical aerator 3,8 l/min   |
| SLA 57B | - Supply No. 06571 | economical aerator 1,9 l/min   |