

Piezo Wall-mounted Stainless Steel Washbasin Tap SLU 44P

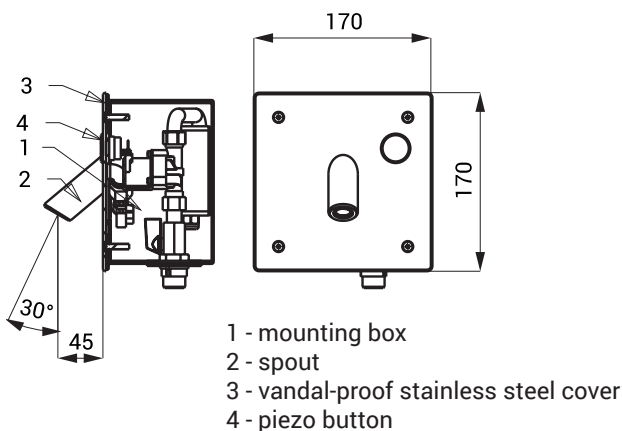


Characteristics



- economical aerator, rate of flow 6 l/min
- hygienic flush
- vandal-proof
- suitable for a prison
- special anti-suicide spout
- special vandal-proof stainless steel cover, thickness 3 mm, safety screws
- is destined for cold or premixed water
- water flows after soft push of the piezo button
- water stops flowing after adjustable flowing time (can be set in 2 - 62 s), standard 10 s
- water could be stopped by follow-up soft push of piezo button
- monitoring of battery capacity (for models with index B)
- parameter adjustment using by the remote control SLD 04
- water flow can be regulated by ball valve

Installation Drawing



Technical Specification

Stainless steel cover dimension	170 x 170 x 3 mm
Mounting box dimension	145 x 155 x 100 mm
Operating voltage	
▪ SLU 44P	24 V DC
▪ SLU 44PB	6 V
Power input	
▪ operating by 24 V DC	7 W
▪ operating by 6 V	3 W
Battery life	
▪ 4 pcs. AA alkaline batteries	approx. 2 years
AA, 1,5 V, 2700 mAh	(100 users per day)
Recommended flow pressure	0,1 - 0,6 MPa
Rate of flow	6 l/min. (inf. data)
Water inlet	male thread G 1/2"

Supply Specification

SLU 44P	- Supply No. 43449	spout, stainless steel cover with piezo electronics, stainless steel mounting box
SLU 44PB	- Supply No. 64441	with a brass screw-coupling, electromagnetic valve and angle valve, safety screws, 4 pcs. AA alkaline batteries 1,5 V, 2700 mAh (SLU 44PB)

Recommended Accessories

SLZ 01Y	- Supply No. 05012	power supply 24 V DC for operating of max. 5 pcs. washbasin taps
SLZ 01Z	- Supply No. 05011	power supply 24 V DC for operating of max. 9 pcs. washbasin taps
SLZ 04Y	- Supply No. 05042	power supply 24 V DC for DIN rail, for operating of max. 5 pcs. washbasin taps
SLZ 04Z	- Supply No. 05041	power supply 24 V DC for DIN rail, for operating of max. 9 pcs. washbasin taps
SLZ 04X	- Supply No. 10049	power supply 24 V DC for DIN rail, for operating of max. 15 pcs. washbasin taps
SLZ 06	- Supply No. 05060	power supply 24 V DC for operating of max. 1 pc. washbasin tap
SLD 04	- Supply No. 07040	remote control for an adjustment of parameters
SLT 04	- Supply No. 09040	thermostatic valve 3/4", rate of flow 28 l/min by the pressure 0,1 MPa
SLT 05	- Supply No. 09050	thermostatic valve 1/2", rate of flow 42 l/min by the pressure 0,1 MPa
SLA 36	- Supply No. 06360	set of 4 pcs. alkaline batteries AA, 1,5 V, 2700 mAh (for models with index B)
SLA 56A	- Supply No. 06560	economical aerator 3,8 l/min
SLA 56B	- Supply No. 06561	economical aerator 1,9 l/min