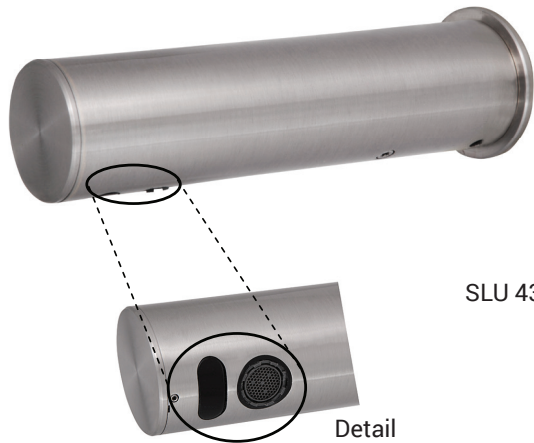


Automatic Wall-mounted Stainless Steel Washbasin Tap SLU 43



SLU 43

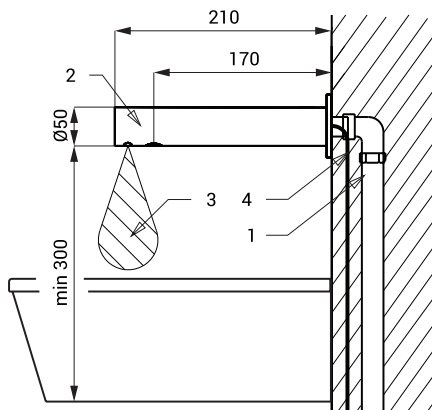
Detail

Characteristics



- economical aerator, rate of flow 6 l/min
- hygienic flush
- lead free
- is destined for cold or premixed water
- water is flowing as long as hands are in the active range
- water stops flowing after removal of hands from the active range sensor after adjustable time delay (can be set in range 0,25 - 7,75 s)
- function of automatic water stop after 5 minut of continuous flow
- monitoring of battery capacity (for models with index B)
- START/STOP program
- parameter adjustment using by the remote control SLD 03

Installation Drawing



- 1 - water supply
- 2 - spout
- 3 - active range
- 4 - feed cable from the power supply (SLU 43)

Technical Specification

Operating voltage

- SLU 43 24 V DC
- SLU 43B 6 V

Power input

- operating by 24 V DC 3 W
- operating by 6 V 3 W

Battery life

- 4 pcs. AA alkaline batteries approx. 2 years (100 uses per day)
- AA, 1,5 V, 2700 mAh

Active range

- standard 0,11 - 0,15 m
- START/STOP program 0,05 - 0,15 m

Recommended flow pressure

- 0,1 - 0,6 MPa

Rate of flow

- 6 l/min. (inf. data)

Water inlet

- male thread G 1/2"



Supply Specification

- SLU 43 - Supply No. 03430 faucet with electronics and electromagnetic valve, 4 pcs. AA alkaline batteries
- SLU 43B - Supply No. 03435 1,5 V, 2700 mAh (SLU 43B)

SLZN 83E - automatic wall-mounted soap dispenser

Recommended Accessories

SLZ 01Y	- Supply No. 05012	power supply 24 V DC for operating of max. 10 pcs. of washbasin taps
SLZ 01Z	- Supply No. 05011	power supply 24 V DC for operating of max. 20 pcs. of washbasin taps
SLZ 04Y	- Supply No. 05042	power supply 24 V DC for DIN rail, for operating of max. 10 pcs. of washbasin taps
SLZ 04Z	- Supply No. 05041	power supply 24 V DC for DIN rail, for operating of max. 20 pcs. of washbasin taps
SLZ 04X	- Supply No. 10049	power supply 24 V DC for DIN rail, for operating of max. 30 pcs. of washbasin taps
SLD 03	- Supply No. 07030	remote control for an adjustment of parameters
SLT 04	- Supply No. 09040	thermostatic valve 3/4", rate of flow 28 l/min by the pressure 0,1 MPa
SLT 05	- Supply No. 09050	thermostatic valve 1/2", rate of flow 42 l/min by the pressure 0,1 MPa
SLR 24	- Supply No. 08240	mounting frame for soap dispenser SLZN 83E
SLA 36	- Supply No. 06360	set of 4 pcs. alkaline batteries AA, 1,5 V, 2700 mAh (for models with index B)
SLZN 83E	- Supply No. 85830	automatic wall-mounted soap dispenser
SLZN 83E2	- Supply No. 85832	automatic wall-mounted soap dispenser (2 pcs.)
SLZN 83E3	- Supply No. 85833	automatic wall-mounted soap dispenser (3 pcs.)
SLZN 83E4	- Supply No. 85834	automatic wall-mounted soap dispenser (4 pcs.)
SLZN 83E5	- Supply No. 85835	automatic wall-mounted soap dispenser (5 pcs.)
SLZN 83E6	- Supply No. 85836	automatic wall-mounted soap dispenser (6 pcs.)
SLZN 83ER	- Supply No. 85838	automatic wall-mounted soap dispenser with mounting frame SLR 24
SLZN 83ER2	- Supply No. 85812	automatic wall-mounted soap dispenser with mounting frame SLR 24 (2 pcs.)
SLZN 83ER3	- Supply No. 85813	automatic wall-mounted soap dispenser with mounting frame SLR 24 (3 pcs.)
SLZN 83ER4	- Supply No. 85814	automatic wall-mounted soap dispenser with mounting frame SLR 24 (4 pcs.)
SLZN 83ER5	- Supply No. 85815	automatic wall-mounted soap dispenser with mounting frame SLR 24 (5 pcs.)
SLZN 83ER6	- Supply No. 85816	automatic wall-mounted soap dispenser with mounting frame SLR 24 (6 pcs.)
SLA 56A	- Supply No. 06560	economical aerator 3,8 l/min
SLA 56B	- Supply No. 06561	economical aerator 1,9 l/min