

Automatic Mixer for Sink SLU 03D

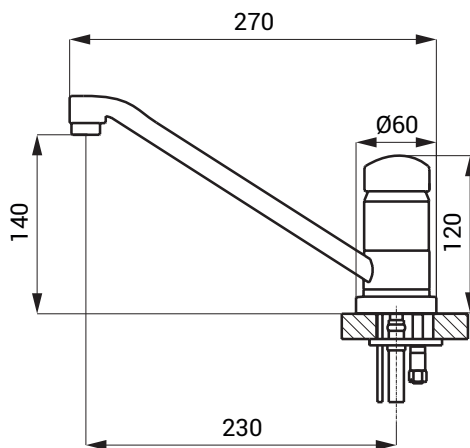


Characteristics



- **hygienic flush**
- fixed faucet
- is destined for cold and hot water, temperature is regulated by an integrated mixer
- water is flowing as long as hands are in the active range
- water stops flowing after removal of hands from the active range of sensor after adjustable time delay (can be set in range 0,25 – 7,75 s)
- function of automatic water stop after 5 minut of continuous flow
- monitoring of battery capacity (for models with index B)
- START/STOP program
- parameter adjustment using by the remote control SLD 03

Dimensions



Technical Specification

Operating voltage

- SLU 03D 24 V DC
- SLU 03DB 9 V

Power input

- operating by 24 V DC 13 W
- operating by 9 V 11 W

Battery life

- lithium 9 V, type U9VL aprox. 2 years
(100 uses per day)

Active range

- standard 0,17 - 0,25 m
- START/STOP program 0,05 - 0,15 m

Recommended flow pressure

0,1 - 0,6 MPa

Rate of flow

12 l/min. (inf. data)

Water inlet

male thread G 1/2"

Supply Specification

SLU 03D - Supply No. 13031
SLU 03DB - Supply No. 13032

elongated faucet with mixer cartridge, sensing head with electronics, holder of electronics, electromagnetic valve (2 pcs.), connecting hoses, angle valve with filter and check valve (2 pcs.), lithium battery SLA 09 with battery case (SLU 03DB)

Recommended Accessories

SLZ 01Y - Supply No. 05012	power supply 24 V DC for operating of max. 2 pcs. of washbasin taps
SLZ 01Z - Supply No. 05011	power supply 24 V DC for operating of max. 4 pcs. of washbasin taps
SLZ 04Y - Supply No. 05042	power supply 24 V DC for DIN rail, for operating of max. 2 pcs. of washbasin taps
SLZ 04Z - Supply No. 05041	power supply 24 V DC for DIN rail, for operating of max. 4 pcs. of washbasin taps
SLZ 04X - Supply No. 10049	power supply 24 V DC for DIN rail, for operating of max. 7 pcs. of washbasin taps
SLD 03 - Supply No. 07030	remote control for an adjustment of parameters
SLA 09 - Supply No. 06090	lithium battery 9V/1200 mAh, type U9VL (for models with index B)
SLA 55A - Supply No. 06550	economical aerator 3,8 l/min
SLA 55B - Supply No. 06551	economical aerator 1,9 l/min