

Thermostatic Valve SLT 12

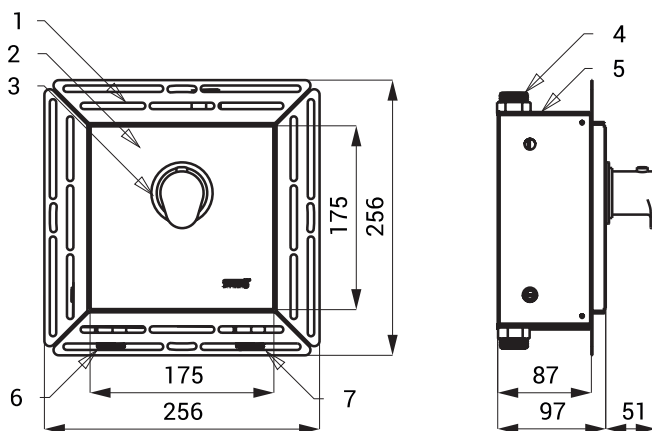


SLT 12E

Characteristics

- thermostatic mixing valve 1/2" in glass cover
- is destined for cold and hot water, temperature is regulated by thermostatic mixer
- stop flowing of hot water in case of cold water failure
- temperature of water is adjusted within the range 15 - 50 °C
- for the right function the pressure of water have to be the same on the both water inlets

Installation Drawing

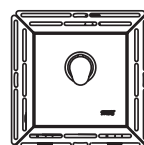


- 1 - stainless steel frame
- 2 - glass cover
- 3 - thermostatic mixer
- 4 - water outlet G 3/4"
- 5 - stainless steel mounting box with ball valves
- 6 - hot water supply G 3/4"
- 7 - cold water supply G 3/4"

Technical Specification

Glass cover dimension	170 x 170 mm
Mounting box dimension	200 x 200 x 80 mm
Recommended flow pressure	0,1 - 0,6 MPa
Rate of flow	20 l/min. (inf. data)
Water inlet	male thread G 3/4"
Water outlet	male thread G 3/4"

water outlet



hot water cold water

Supply Specification

SLT 12B	- Supply No. 09121	glass cover in stainless steel mounting frame (colour light grey REF 9006), stainless steel mounting box with ball and thermostatic valve, check valves, thermostatic mixer
SLT 12C	- Supply No. 09122	glass cover in stainless steel mounting frame (colour dark grey REF 7016), stainless steel mounting box with ball and thermostatic valve, check valves, thermostatic mixer
SLT 12D	- Supply No. 09123	glass cover in stainless steel mounting frame (colour metallic black REF 0337), stainless steel mounting box with ball and thermostatic valve, check valves, thermostatic mixer
SLT 12E	- Supply No. 09124	glass cover in stainless steel mounting frame (colour black REF 9005), stainless steel mounting box with ball and thermostatic valve, check valves, thermostatic mixer

Recommended Accessories

SLS 30B	-	Supply No. 02300	electronic touch shower control (colour light grey REF 9006, backlit of the symbol cyan)
SLS 30C	-	Supply No. 02301	electronic touch shower control (colour dark grey REF 7016, backlit of the symbol white)
SLS 30D	-	Supply No. 02302	electronic touch shower control (colour metallic black REF 0337, backlit of the symbol white)
SLS 30E	-	Supply No. 02303	electronic touch shower control (colour black REF 9005, backlit of the symbol white)
SLA 03	-	Supply No. 06030	vandal-proof shower head with possibility to set an angle of water flow
SLA 13	-	Supply No. 06130	vandal-proof shower head with possibility to set an angle of water flow
SLA 14	-	Supply No. 06140	vandal-proof shower head
SLA 28	-	Supply No. 06280	shower head
SLA 39	-	Supply No. 06390	vandal-proof shower head
SLA 40	-	Supply No. 06400	vandal-proof shower head with possibility to set an angle of water flow
SLA 54	-	Supply No. 06540	suction cup for disassembly of glass panels