

# Safety Body Shower SLSN 24



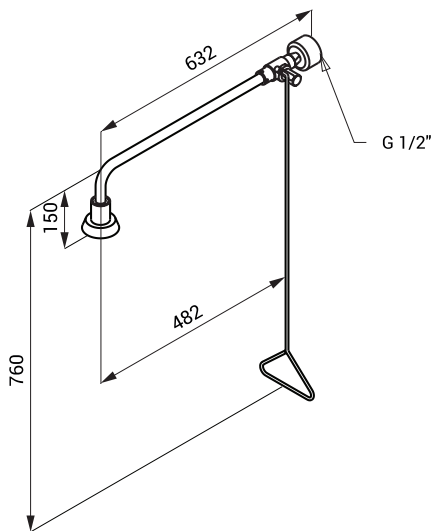
SLSN 24

## Characteristics



- suitable for medical facilities and industry
- used as first aid if eyes impacted by accidents caused by fire, chemical or other dangerous substances
- wall-mounted body shower with start trigger and self-cleaning shower head
- integrated ball valve for regulation of water flow
- mounting on the wall
- special chemically resistant red lacquer

## Dimensions



## Technical Specification

Rate of flow  
Water inlet

60 l/min. at 0,1 MPa  
male thread G 1/2"

## Supply Specification

SLSN 24 - Supply No. 92240      body shower