

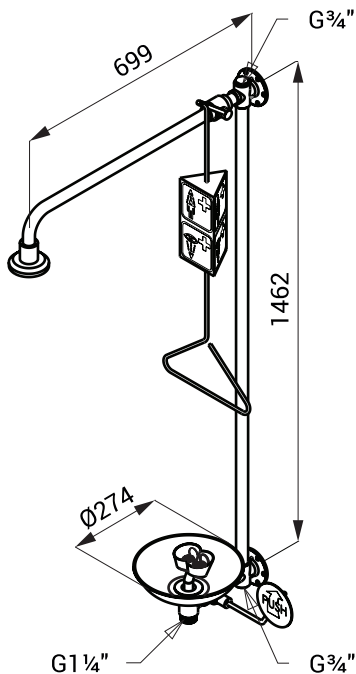
Safety Eyewash and Body Shower SLSN 23Z



Characteristics

- suitable for medical facilities and industry
- used as first aid if eyes impacted by accidents caused by fire, chemical or other dangerous substances
- wall-mounted body and eyewash shower - body shower with start trigger and self-cleaning shower head, eyewash shower with two spray heads, bowl and start lever
- integrated ball valve for regulation of water flow
- mounting on the wall
- special chemically resistant red lacquer

Dimensions



Technical Specification

Rate of flow	eyewash shower - 26 l/min. at 0,01 MPa body shower - 60 l/min. at 0,01 MPa
Water outlet	male thread G 1 1/4 "
Water inlet	male thread G 3/4 "

Supply Specification

SLSN 23Z - Supply No. 82235 eyewash and body shower, mounting set