

Safety Eyewash and Body Showers

SLSN 23H, SLSN 23HO



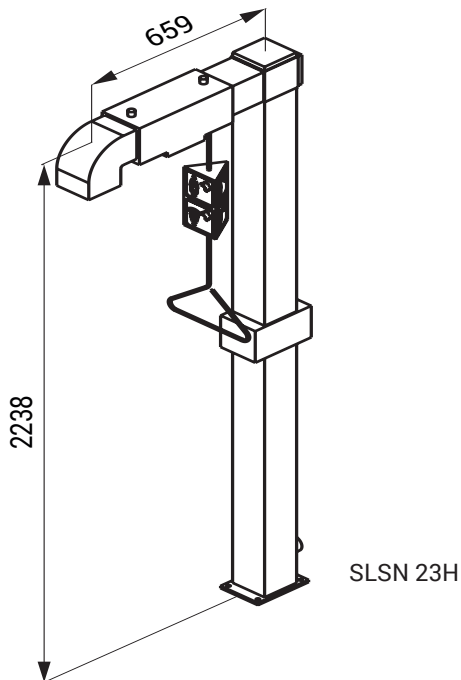
SLSN 23H

Characteristics



- suitable for medical facilities and industry
- used as first aid if eyes impacted by accidents caused by fire, chemical or other dangerous substances
- free standing outdoor body shower with start trigger and heating, till max. -20°C
- floor installation
- special chemically resistant red lacquer

Dimensions



SLSN 23H

Technical Specification

Operating voltage	230 V AC/50 Hz
Min. work pressure	0,2 MPa
Min. operating temperature	-20 °C
Rate of flow	115 l/min. (inf. data)
Water inlet	male thread G 1 1/4"

Supply Specification

SLSN 23H - Supply No. 82236 body shower, mounting set



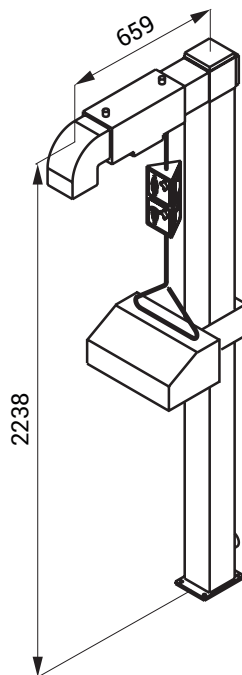
SLSN 23HO

Characteristics



- suitable for medical facilities and industry
- used as first aid if eyes impacted by accidents caused by fire, chemical or other dangerous substances
- free standing outdoor body and eyewash shower with start trigger and heating, till max. -20°C
- floor installation
- special chemically resistant red lacquer

Dimensions



SLSN 23HO

Technical Specification

Operating voltage	230 V AC/50 Hz
Min. work pressure	0,2 MPa
Min. operating temperature	-20 °C
Rate of flow	115 l/min. (inf. data)
Water inlet	male thread G 1 1/4"

Supply Specification

SLSN 23HO - Supply No. 82237 eyewash and body shower, mounting set