

## Stainless Steel Bath Tub SLSN 09

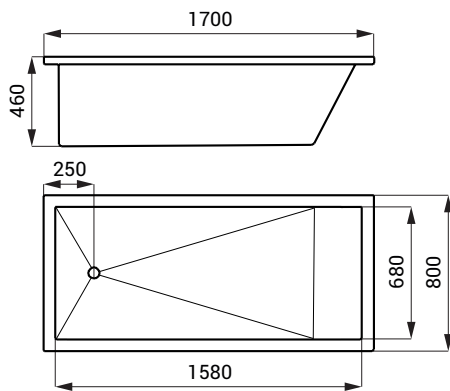


SLSN 09

### Characteristics

- suitable for medical facilities
- stainless steel bath tub for recessed mounting
- overflow
- material AISI - 304
- brushed finish

### Dimensions



### Supply Specification

SLSN 09 - Supply No. 92090 stainless steel bath tub, siphon, overflow set