

# Automatic Shower Control SLS 01N

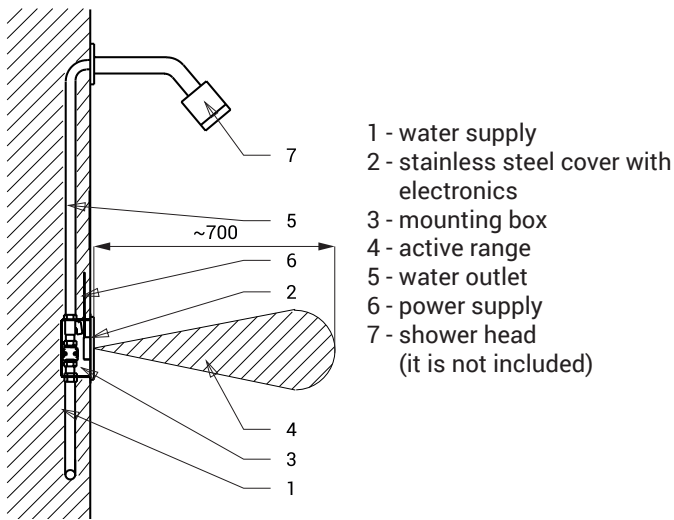


SLS 01N

## Characteristics

- **hygienic flush**
- is destined for cold or premixed water
- water is flowing as long as an user is in the active range
- water stops flowing after the user leaves the active range sensor after adjustable time delay (can be set in range 0,25 - 7,75 s), standard 3 s
- function of automatic water stop after 5 minut of continuous flow
- monitoring of battery capacity (for models with index B)
- START/STOP program
- parameter adjustment using by the remote control SLD 03

## Installation Drawing



## Technical Specification

<b>Stainless steel cover dimension</b>	170 x 170 x 10 mm
<b>Mounting box dimension</b>	140 x 140 x 75 mm
<b>Operating voltage</b>	
▪ SLS 01N	24 V DC
▪ SLS 01NB	6 V
<b>Power input</b>	
▪ by operating 24 V DC	7 W
▪ by operating 6 V	3 W
<b>Battery life</b>	
▪ 4 pcs. AA alkaline batteries AA, 1,5 V, 2700 mAh	approx. 2 years (100 uses per day)
<b>Active range</b>	
▪ standard	0,27 - 0,35 m
▪ START/STOP program	0,05 - 0,15 m
<b>Recommended flow pressure</b>	0,1 - 0,6 MPa
<b>Rate of flow</b>	12 l/min. (inf. data)
<b>Water inlet</b>	male thread G 3/4"
<b>Water outlet</b>	male thread G 3/4"

## Supply Specification

<b>SLS 01N</b>	- Supply No. 22012	stainless steel cover with electronics, plastic mounting box with brass screw
<b>SLS 01NB</b>	- Supply No. 22013	coupling, electromagnetic valve and ball valve, 4 pcs. AA alkaline batteries 1,5 V, 2700 mAh (SLS 01NB)

## Recommended Accessories

<b>SLZ 01Y</b>	- Supply No. 05012	power supply 24 V DC for operating of max. 5 pcs. of showers
<b>SLZ 01Z</b>	- Supply No. 05011	power supply 24 V DC for operating of max. 9 pcs. of showers
<b>SLZ 04Y</b>	- Supply No. 05042	power supply 24 V DC for DIN rail, for operating of max. 5 pcs. of showers
<b>SLZ 04Z</b>	- Supply No. 05041	power supply 24 V DC for DIN rail, for operating of max. 9 pcs. of showers
<b>SLZ 04X</b>	- Supply No. 10049	power supply 24 V DC for DIN rail, for operating of max. 15 pcs. of showers
<b>SLZ 06</b>	- Supply No. 05060	power supply 24 V DC for operating of max. 1 pc. of shower
<b>SLD 03</b>	- Supply No. 07030	remote control for an adjustment of parameters
<b>SLT 04</b>	- Supply No. 09040	thermostatic valve 3/4", rate of flow 28 l/min by the pressure 0,1 MPa
<b>SLT 05</b>	- Supply No. 09050	thermostatic valve 1/2", rate of flow 42 l/min by the pressure 0,1 MPa
<b>SLT 07</b>	- Supply No. 09070	thermostatic valve 3/4", rate of flow 43 l/min by the pressure 0,1 MPa
<b>SLT 08</b>	- Supply No. 09080	thermostatic valve 1", rate of flow 53 l/min by the pressure 0,1 MPa
<b>SLT 09</b>	- Supply No. 09090	thermostatic valve 5/4", rate of flow 82 l/min by the pressure 0,1 MPa
<b>SLT 10</b>	- Supply No. 09100	thermostatic valve 6/4", rate of flow 155 l/min by the pressure 0,1 MPa
<b>SLA 03</b>	- Supply No. 06030	vandal-proof shower head with possibility to set an angle of water flow
<b>SLA 13</b>	- Supply No. 06130	vandal-proof shower head with possibility to set an angle of water flow
<b>SLA 14</b>	- Supply No. 06140	vandal-proof shower head
<b>SLA 28</b>	- Supply No. 06280	shower head
<b>SLA 39</b>	- Supply No. 06390	vandal-proof shower head
<b>SLA 40</b>	- Supply No. 06400	vandal-proof shower head with possibility to set an angle of water flow
<b>SLA 36</b>	- Supply No. 06360	set of 4 pcs. alkaline batteries AA, 1,5 V, 2700 mAh (for models with index B)