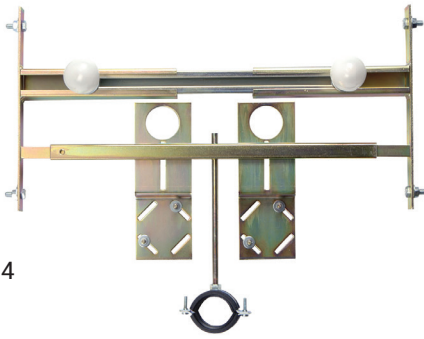


Mounting Frames for Washbasins

SLR 04, 23, 24



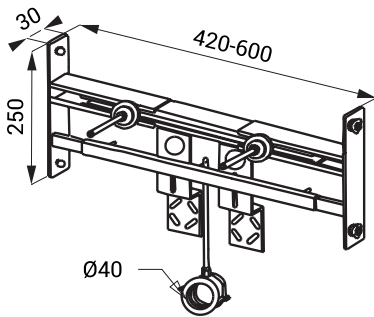
SLR 04

Characteristics

SLR 04

- is destined for plasterboard constructions
- is destined for ceramic washbasins
- possibility to use it for distances between axes of CW 420 to 600 mm
- surface finishing - yellow zinc-chromat
- mounting to CW profiles by screws with classic nuts
- mounting screws M10 and waste pipe holder \varnothing 40 mm

Dimensions



Supply Specification

SLR 04 - Supply No. 08040 mounting frame for plasterboard constructions for ceramic washbasin, mounting screws M10

SLR 23

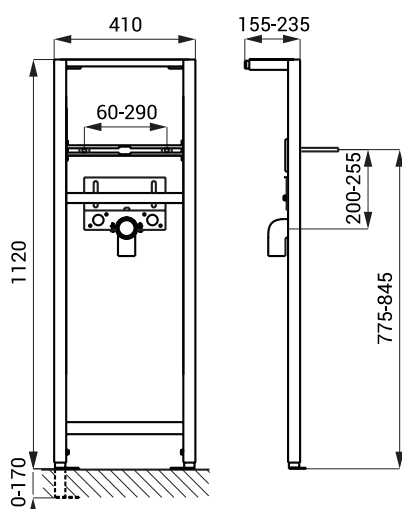


Characteristics

SLR 23

- is destined for plasterboard constructions, for mounting to the floor and to the back wall
- is destined for mounting of ceramic washbasins
- metal frame construction with surface finishing - blue powder coated
- adjustable height 1120 - 1290 mm
- adjustable depth 155 - 235 mm
- mounting screws M10, waste pipe holder with the elbow pipe \varnothing 50 mm and 2 x water inlet G 1/2"

Dimensions



Supply Specification

SLR 23 - Supply No. 08230 mounting frame for plasterboard constructions, for mounting to the floor and to the back wall, mounting frame is destined for mounting of ceramic washbasin, mounting screws M10

SLR 24

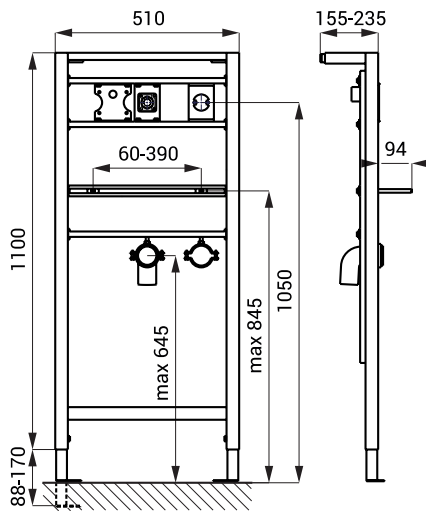


Characteristics

SLR 24

- is destined for plasterboard constructions, for mounting to the floor and to the back wall
- is destined for mounting of automatic soap dispenser SLZN 83E and wall-mounted washbasin taps (SLU 42KB, SLU 43, SLU 43B, SLU 43KB)
- metal frame construction with surface finishing - blue powder coated
- adjustable height 1120 - 1290 mm
- adjustable depth 155 - 235 mm
- mounting screws M8, waste pipe holder with the elbow pipe \varnothing 50 mm

Dimensions



Supply Specification

SLR 24 - Supply No. 08240

mounting frame for plasterboard constructions, for mounting to the floor and to the back wall, for mounting of automatic soap dispenser and wall-mounted washbasin taps, mounting screws M8