

# Stainless Steel Automatic Urinal SLPN 10E

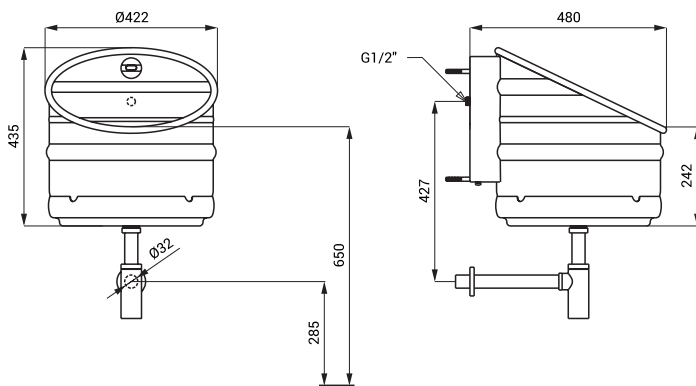


SLPN 10E

## Characteristics

- **vandal-proof**
- stainless steel wall hung urinal with integrated infra-red electronics
- rear assembling by the mounting plate and special screws
- system reacts to the user attendance in front of the urinal at a maximum distance of 0,7 m, minimum stay time in active range is 7,5 s
- system flushes after leaving of user from active range
- adjustable flushing time 0,5 - 15,5 s
- parameters adjustment by remote control SLD 03
- automatic hygiene flushing after 24 hours non-use
- monitoring of battery capacity (for models with index B)
- material AISI - 304
- brushed finish

## Dimensions



- 1 - water outlet Ø 32 mm
- 2 - holes for fitting
- 3 - water supply G 1/2"
- 4 - power supply

Dimensions (mm)	A	B	C	D	F	K
KEG	520	237	67	190	135	263

\* for the height of the front edge of the urinal 650 mm above the floor

## Supply Specification

- SLPN 10E** - Supply No. 91109 stainless steel urinal with flushing head and electronics, electromagnetic valve,  
**SLPN 10EB** - Supply No. 91105 angle valve with filter, connecting hoses, TORX screws (4 pcs.), siphon,  
 4 pc. AA alkaline batteries 1,5 V, 2700 mAh with battery case (SLPN 10EB)

## Recommended Accessories

- SLZ 01Y** - Supply No. 05012 power supply 24 V DC for operating of max. 5 pcs. of flushing units  
**SLZ 01Z** - Supply No. 05011 power supply 24 V DC for operating of max. 9 pcs. of flushing units  
**SLZ 04Y** - Supply No. 05042 power supply 24 V DC for DIN rail, for operating of max. 5 pcs. of flushing units  
**SLZ 04Z** - Supply No. 05041 power supply 24 V DC for DIN rail, for operating of max. 9 pcs. of flushing units  
**SLZ 04X** - Supply No. 10049 power supply 24 V DC for DIN rail, for operating of max. 15 pcs. of flushing units  
**SLZ 06** - Supply No. 05060 power supply 24 V DC for operating of max. 1 pc. of flushing unit  
**SLD 03** - Supply No. 07030 remote control for an adjustment of parameters  
**SLR 02N** - Supply No. 08021 mounting frame to the plasterboard for the urinal  
**SLA 36** - Supply No. 06360 set of 4 pcs. alkaline batteries AA 1,5 V, 2700 mAh (for models with index B)

## Technical Specification

- Operating voltage**
- SLPN 10E 24 V DC
  - SLPN 10EB 6 V
- Power input**
- operating by 24 V DC 7 W
  - operating by 6 V 3 W
- Battery life**
- 4 pcs. AA alkaline batteries approx. 2 years  
 AA, 1,5 V, 2700 mAh (100 uses per day)
- Active range** 0,6 - 0,75 m
- Recommended flow pressure** 0,1 - 0,6 MPa
- Rate of flow** 12 l/min. (inf. data)
- Water inlet** male thread G 1/2"