

# Stainless Steel Urinal SLPN 09



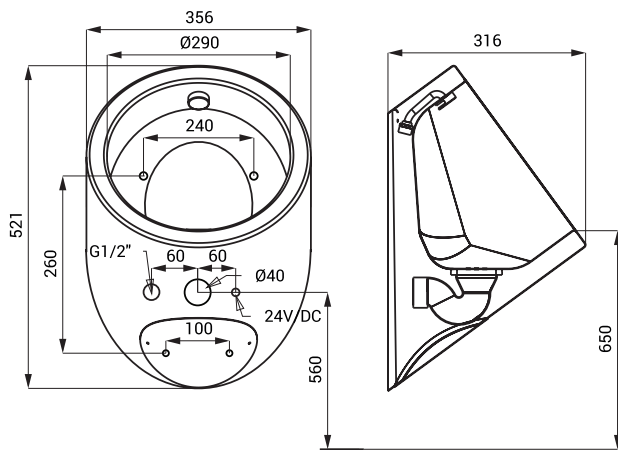
SLPN 09

## Characteristics



- vandal-proof
- suitable for a prison
- stainless steel wall hung urinal with integrated flushing head
- rear assembling through the service hatch
- material AISI - 304
- brushed finish

## Dimensions



## Technical Specification

Water inlet

male thread G 1/2"

\* for the height of the front edge of the urinal 650 mm above the floor

## Supply Specification

SLPN 09 - Supply No. 91090 stainless steel urinal with flushing head, mounting set, siphon

## Recommended Accessories

SLR 02N - Supply No. 08021 mounting frame for plasterboard construction for stainless steel urinals