

Stainless Steel Automatic Urinal SLPN 07E



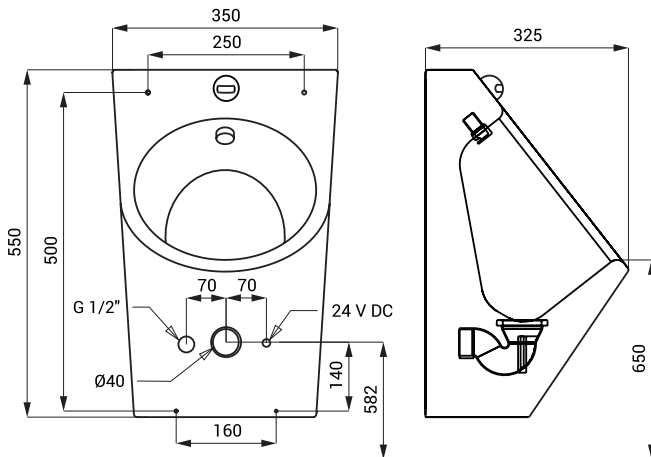
SLPN 07E

Characteristics



- **vandal-proof**
- stainless steel wall hung urinal with integrated infra-red electronics
- rear assembling through the service hatch and screws
- system reacts to the user attendance in front of the urinal at a maximum distance of 0,7 m, minimum stay time in active range is 7,5 s
- system flushes after leaving of user from active range
- adjustable flushing time 0,5 - 15,5 s
- parameters adjustment by remote control SLD 03
- automatic hygiene flushing after 24 hours non-use
- monitoring of battery capacity (for models with index B)
- material AISI - 304
- brushed finish

Dimensions



* for the height of the front edge of the urinal 650 mm above the floor

Technical Specification

Operating voltage

- SLPN 07E 24 V DC
- SLPN 07EB 9 V

Power input

- operating by 24 V DC 7 W
- operating by 9 V 3 W

Battery life

- alkaline battery, 9 V/550 mAh, typ 6F22 approx. 2 years (100 uses per day)

Active range

- 0,6 - 0,75 m

Recommended flow pressure

- 0,1 - 0,6 MPa

Rate of flow

- 12 l/min. (inf. data)

Water inlet

- male thread G 1/2"

Supply Specification

- SLPN 07E - Supply No. 91071 stainless steel urinal with flushing head, sensor head with electronics,
SLPN 07EB - Supply No. 91072 electromagnetic valve (1 pc.), angle valve with a filter, connecting hoses, mounting set, siphon, alkaline battery SLA 29 (SLPN 07EB)

Recommended Accessories

- SLZ 01Y - Supply No. 05012 power supply 24 V DC for operating of max. 5 pcs. of flushing units
SLZ 01Z - Supply No. 05011 power supply 24 V DC for operating of max. 9 pcs. of flushing units
SLZ 04Y - Supply No. 05042 power supply 24 V DC for DIN rail, for operating of max. 5 pcs. of flushing units
SLZ 04Z - Supply No. 05041 power supply 24 V DC for DIN rail, for operating of max. 9 pcs. of flushing units
SLZ 04X - Supply No. 10049 power supply 24 V DC for DIN rail, for operating of max. 15 pcs. of flushing units
SLZ 06 - Supply No. 05060 power supply 24 V DC for operating of max. 1 pc. of flushing unit
SLD 03 - Supply No. 07030 remote control for an adjustment of parameters
SLR 02N - Supply No. 08021 mounting frame for plasterboard construction for stainless steel urinals
SLA 29 - Supply No. 06290 alkaline battery, 9 V/550 mAh, typ 6F22 (for models with index B)