

# Stainless Steel Urinal with Hidden Flushing Unit SLPN 07C



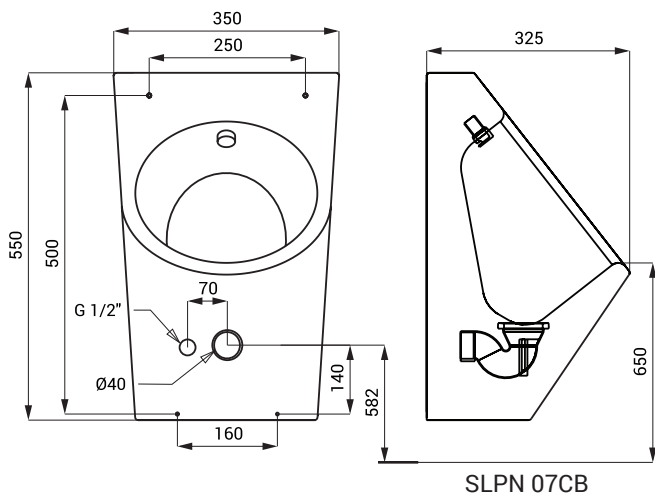
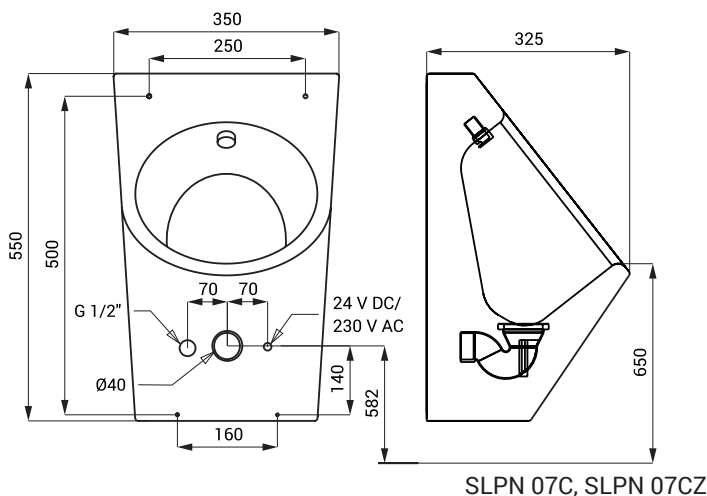
SLPN 07C

## Characteristics



- **vandal-proof**
- **suitable for a prison**
- stainless steel wall hung urinal with integrated electronics
- rear assembling through the service hatch and screws
- system reacts only on the direct use of the urinal (it analyses changes, which are proceeded inside of the urinal, when a liquid is flowing through)
- adjustable flushing time 0,5 - 15,5 s
- parameters adjustment by remote control SLD 04
- automatic hygiene flushing after 24 hours non-use
- monitoring of battery capacity (for models with index B)
- material AISI - 304
- brushed finish

## Dimensions



\* for the height of the front edge of the urinal 650 mm above the floor

## Supply Specification

**SLPN 07C** - Supply No. **91073** stainless steel urinal with flushing head, electronics, electromagnetic valve (1 pc.),  
**SLPN 07CZ** - Supply No. **91075** angle valve with a filter, connecting hoses, mounting set, siphon, 4 pcs. AA alkaline  
**SLPN 07CB** - Supply No. **91074** batteries 1,5 V, 2700 mAh (SLPN 07CB), power supply (SLPN 07CZ)

## Technical Specification

### Operating voltage

- SLPN 07C 24 V DC
- SLPN 07CZ 230 V AC/ 50 Hz
- SLPN 07CB 6 V

### Power input

- operating by 24 V DC 7 W
- operating by 6 V 3 W

### Battery life

- 4 pcs. AA alkaline batteries approx. 2 years (100 uses per day)
- AA, 1,5 V, 2700 mAh

### Recommended flow pressure

0,1 - 0,6 MPa

### Rate of flow

12 l/min. (inf. data)

### Water inlet

male thread G 1/2"

## Recommended Accessories

<b>SLZ 01Y</b>	-	<b>Supply No. 05012</b>	power supply 24 V DC for operating of max. 5 pcs. of flushing units
<b>SLZ 01Z</b>	-	<b>Supply No. 05011</b>	power supply 24 V DC for operating of max. 9 pcs. of flushing units
<b>SLZ 04Y</b>	-	<b>Supply No. 05042</b>	power supply 24 V DC for DIN rail, for operating of max. 5 pcs. of flushing units
<b>SLZ 04Z</b>	-	<b>Supply No. 05041</b>	power supply 24 V DC for DIN rail, for operating of max. 9 pcs. of flushing units
<b>SLZ 04X</b>	-	<b>Supply No. 10049</b>	power supply 24 V DC for DIN rail, for operating of max. 15 pcs. of flushing units
<b>SLZ 06</b>	-	<b>Supply No. 05060</b>	power supply 24 V DC for operating of max. 1 pc. of flushing unit
<b>SLD 04</b>	-	<b>Supply No. 07040</b>	remote control for an adjustment of parameters
<b>SLR 02N</b>	-	<b>Supply No. 08021</b>	mounting frame for plasterboard construction for stainless steel urinals
<b>SLA 36</b>	-	<b>Supply No. 06360</b>	set of 4 pcs. alkaline batteries AA 1,5 V, 2700 mAh (for models with index B)