

Stainless Steel Urinal SLPN 06



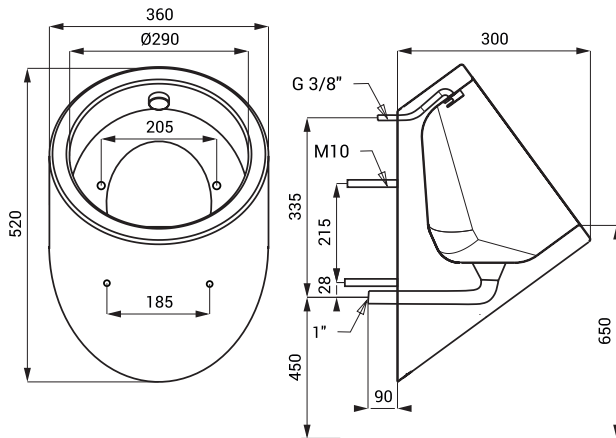
SLPN 06

Characteristics



- vandal-proof
- suitable for a prison
- stainless steel wall hung urinal with integrated flushing head
- filled with expanded polyurethane (to avoid dents and typical metal noise)
- rear assembling by screws (M10, length 190 mm), from the service room
- material AISI - 304
- brushed finish

Dimensions



Technical Specification

Water inlet

male thread G 3/8"

* for the height of the front edge of the urinal 650 mm above the floor

Supply Specification

SLPN 06 - Supply No. 91060 stainless steel urinal with flushing head, screws M10 (4 pcs.), stainless steel waste