

Stainless Steel Urinal Troughs with Hidden Flushing Unit SLPN 02C, SLPN 03C, SLPN 04C



SLPN 02C

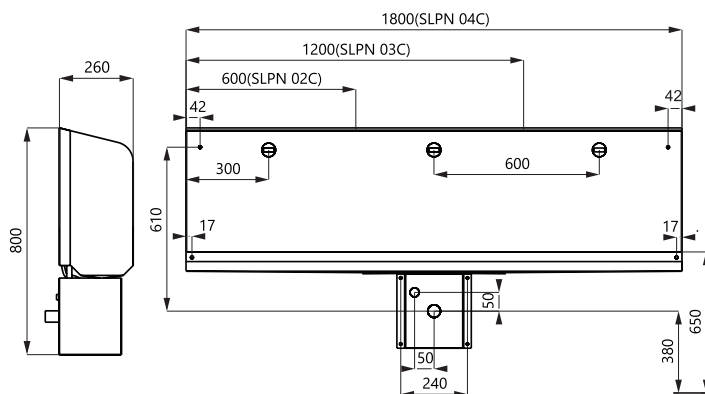


SLPN 04C

Characteristics

- vandal-proof
- stainless steel wall hung urinal trough with integrated electronics
- system reacts only on the direct use of the urinal (it analyses changes, which are proceeded inside of the urinal, when a liquid is flowing through)
- adjustable flushing time 0,5 - 15,5 s
- parameters adjustment by remote control SLD 04
- automatic hygiene flushing after 24 hours non-use
- different lengths could be made to order
- material AISI - 304
- brushed finish

Dimensions



Technical Specification

Operating voltage

- SLPN 02C, 03C, 04C 24 V DC
- SLPN 02CB, 03CB, 04CB 6 V

Power input

- operating by 24 V DC 7 W
- operating by 6 V 3 W

Battery life

- 4 pcs. AA alkaline batteries approx. 2 years (100 uses per day)
- AA, 1,5 V, 2700 mAh

Recommended flow pressure

- 0,1 - 0,6 MPa

Rate of flow

12 l/min. (inf. data)

Water inlet

male thread G 1/2"

* for the height of the front edge of the urinal 650 mm above the floor

Supply Specification

SLPN 02C - Supply No. 91023	stainless steel urinal trough 600 mm with flushing head (1 pc.), electronics (1 pc.), electromagnetic valve (1 pc.), angle valve with a filter, mounting set, cover for siphon, siphon, 4 pcs. AA alkaline batteries 1,5 V 2700 mAh (SLPN 02CB)
SLPN 03C - Supply No. 91033	stainless steel urinal trough 1200 mm with flushing head (2 pcs.), electronics (1 pc.), electromagnetic valve (1 pc.), angle valve with a filter, mounting set, cover for siphon, siphon, 4 pcs. AA alkaline batteries 1,5 V 2700 mAh (SLPN 03CB)
SLPN 04C - Supply No. 91043	stainless steel urinal trough 1800 mm with flushing head (3 pcs.), electronics (1 pc.), electromagnetic valve (1 pc.), angle valve with a filter, mounting set, cover for siphon, siphon, 4 pcs. AA alkaline batteries 1,5 V 2700 mAh (SLPN 04CB)

Recommended Accessories

SLZ 01Y - Supply No. 05012	power supply 24 V DC for operating of max. 5 pcs. of electromagnetic valves
SLZ 01Z - Supply No. 05011	power supply 24 V DC for operating of max. 9 pcs. of electromagnetic valves
SLZ 04Y - Supply No. 05042	power supply 24 V DC on DIN rail, for operating of max. 5 pcs. of electromagnetic valves
SLZ 04Z - Supply No. 05041	power supply 24 V DC on DIN rail, for operating of max. 9 pcs. of electromagnetic valves
SLZ 04X - Supply No. 10049	power supply 24 V DC on DIN rail, for operating of max. 15 pcs. of electromagnetic valves
SLZ 06 - Supply No. 05012	power supply 24 V DC for operating of max. 1 pc. of electromagnetic valve
SLD 04 - Supply No. 07040	remote control for an adjustment of parameters
SLA 36 - Supply No. 06360	set of 4 pcs. alkaline batteries AA 1,5 V, 2700 mAh (for models with index B)