

Piezo Urinal Flushing Unit SLP 02PA

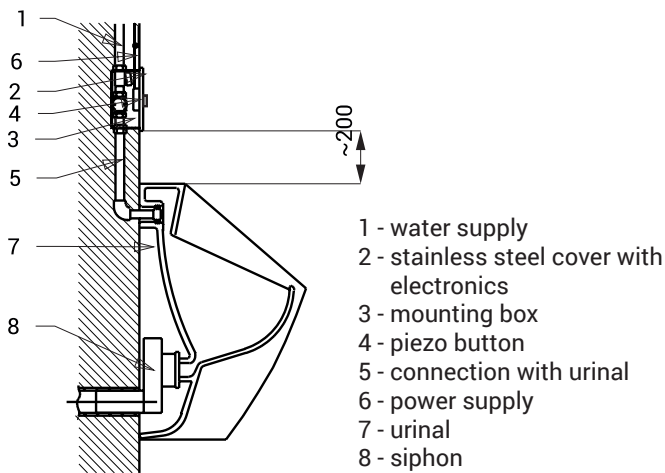


Characteristics



- **vandal-proof**
- **suitable for a prison**
- special vandal-proof stainless steel cover, thickness 3 mm
- water flows after soft push of the piezo button
- adjustable flushing time 0,5 - 15,5 s, standard 4 s
- parameters adjustment by remote control SLD 04
- automatic hygiene flushing after 24 hours non-use
- possibility to regulate a water flow by the ball valve

Installation Drawing



Technical Specification

Stainless steel cover dimension	160 x 170 x 3 mm
Mounting box dimension	140 x 140 x 75 mm
Operating voltage	24 V DC
Power input	7 W
Recommended flow pressure	0,1 - 0,6 MPa
Rate of flow	18 l/min (inf. data)
Water inlet	male thread G 3/4"
Water outlet	male thread G 3/4"

Supply Specification

SLP 02PA - Supply No. 21022 stainless steel cover with piezo electronics, plastic mounting box with brass screw coupling, electromagnetic valve and ball valve, TORX screw (4 pcs.)

Recommended Accessories

SLZ 01Y - Supply No. 05012	power supply 24 V DC for operating of max. 5 pcs. of flushing units
SLZ 01Z - Supply No. 05011	power supply 24 V DC for operating of max. 9 pcs. of flushing units
SLZ 04Y - Supply No. 05042	power supply 24 V DC on DIN rail, for operating of max. 5 pcs. of flushing units
SLZ 04Z - Supply No. 05041	power supply 24 V DC on DIN rail, for operating of max. 9 pcs. of flushing units
SLZ 04X - Supply No. 10049	power supply 24 V DC on DIN rail, for operating of max. 15 pcs. of flushing units
SLZ 06 - Supply No. 05060	power supply 24 V DC for operating of max. 1 pc. of flushing unit
SLD 04 - Supply No. 07040	remote control for an adjustment of parameters
SLA 02 - Supply No. 06020	inlet fitting with a rubber seal for the urinals with back water inlet
SLR 02 - Supply No. 08020	mounting frame to the plasterboard for urinal and flushing unit, which is placed above the urinal