

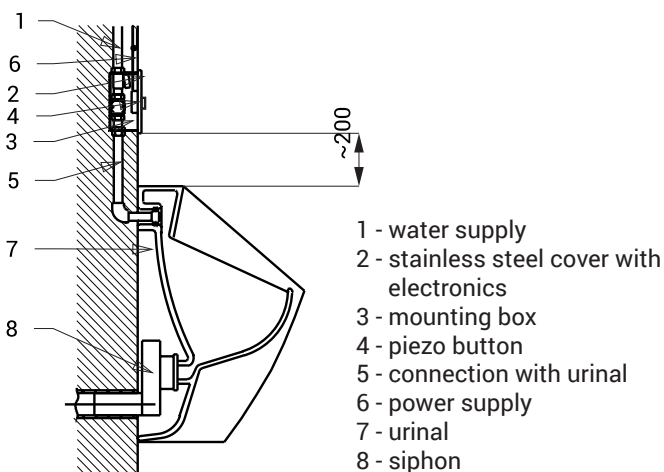
# Piezo Urinal Flushing Unit SLP 02NP



## Characteristics

- vandal-proof
- water flows after soft push of the piezo button
- adjustable flushing time 0,5 - 15,5 s, standard 4 s
- parameters adjustment by remote control SLD 04
- automatic hygiene flushing after 24 hours non-use
- possibility to regulate a water flow by the ball valve

## Installation Drawing



## Technical Specification

<b>Stainless steel cover dimension</b>	170 x 170 x 10 mm
<b>Mounting box dimension</b>	140 x 140 x 75 mm
<b>Operating voltage</b>	24 V DC
<b>Power input</b>	7 W
<b>Recommended flow pressure</b>	0,1 - 0,6 MPa
<b>Rate of flow</b>	18 l/min (inf. data)
<b>Water inlet</b>	male thread G 3/4"
<b>Water outlet</b>	male thread G 3/4"

## Supply Specification

**SLP 02NP - Supply No. 42024** stainless steel cover with piezo electronics, plastic mounting box with brass screw coupling, electromagnetic valve and ball valve

## Recommended Accessories

<b>SLZ 01Y - Supply No. 05012</b>	power supply 24 V DC for operating of max. 5 pcs. of flushing units
<b>SLZ 01Z - Supply No. 05011</b>	power supply 24 V DC for operating of max. 9 pcs. of flushing units
<b>SLZ 04Y - Supply No. 05042</b>	power supply 24 V DC on DIN rail, for operating of max. 5 pcs. of flushing units
<b>SLZ 04Z - Supply No. 05041</b>	power supply 24 V DC on DIN rail, for operating of max. 9 pcs. of flushing units
<b>SLZ 04X - Supply No. 10049</b>	power supply 24 V DC on DIN rail, for operating of max. 15 pcs. of flushing units
<b>SLZ 06 - Supply No. 05060</b>	power supply 24 V DC for operating of max. 1 pc. of flushing unit
<b>SLD 04 - Supply No. 07040</b>	remote control for an adjustment of parameters
<b>SLA 02 - Supply No. 06020</b>	inlet fitting with a rubber seal for the urinals with back water inlet
<b>SLR 02 - Supply No. 08020</b>	mounting frame to the plasterboard for urinal and flushing unit, which is placed above the urinal